

HLS Cross-Aisle Pivot

AIMABLE SURFACE MOUNT SAFETY LIGHTING
REMOTE POWER SUPPLY



APPLICATION

This revolutionary lighting system reduces or removes safety lighting products and wiring from the heavily trafficked floor environment. An extension of the multi functional House Lighting System (HLS) that delivers a targeted, narrow beam of illumination designed for cross aisles, stairs, walkways and landings. Precision optics paired with collimating slot micro-baffles and/or shields create a confined pathway of light with no visible source reference. Rotates and pivots for precise aiming.

The Cross-Aisle/Stair option (Attribute A) utilizes a 4ft wide beam spread that can be installed in succession to provide continuous, even light along cross-aisles or stairs. The Landing option (Attribute B) utilizes a 3ft x 5ft or 3ft x 3ft beam pattern that provides a targeted block of illumination for landings.

Surface mounted with exclusive T-Bar ceiling mount clips allows for straight or curved illumination patterns. Tempo will assist in selecting the ideal optical configuration for your application based on layout and ceiling height.

CONSTRUCTION

- Extruded aluminum channel
- Thermally optimized die-cast aluminum heat sink
- Plug and play connectors for simplified installation
- CSA damp location listed

OPTICS / LENS / DIFFUSER

- Precision optics paired with a collimating slot and micro-baffles configured for the mounting height
- Side shield provides complete light block designed for auditorium applications

POWER SYSTEM

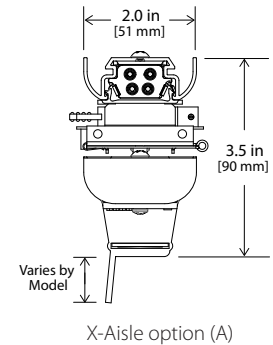
- Utilizes a remote, low voltage DC power supply (24V, 120V input)
- Triac dimming (100-1%)

PERFORMANCE

- Light output varies by configuration

LIGHT CHARACTERISTICS

- Available in 2200K, 2700K, 3000K, 3500K, 4000K correlated color temperature. Static colors (i.e. Red & Blue) also available, consult factory for additional color options.
- Typical CRI of 80+
- Color variations confined to a 2-step MacAdam ellipse



WARRANTY

Tempo provides a 5-year limited warranty. A 10-year warranty will apply when installed by a Tempo Certified Installer.



PERFORMANCE SUMMARY

Attribute	Type	Application	Watts/Module
A	E	Cross Aisle/Stairs with nominal 4ft beam width at 10ft to 45ft height	~12 W
B	F	Landing with 3ft x 5ft beam pattern at 10ft to 35ft height	~12 W
B	G	Landing with 3ft x 3ft beam pattern at 25ft to 35ft height	~12 W

HLS Cross-Aisle Pivot

AIMABLE SURFACE MOUNT SAFETY LIGHTING

REMOTE POWER SUPPLY

ORDERING INFORMATION

Example: **HLS-P-A-6-E30RD-BK**

HLS, Surface Mount Cross Aisle Pivot, 6ft, 12" Module for 30ft Ceiling, 4ft Beam Width, Red LED, Black finish

HLS	P		6			BK	
PLATFORM				LIGHT MODULE CONFIGURATION			
Series	Mounting	Attribute	Fixture Length	Application		Light Color	Finish
HLS	P Pivot Surface Mount T-Bar	A Cross-Aisle/Stairs 4ft wide beam pattern (Except where noted)	6 6ft	E10 Cross-Aisle/Stairs Light, 10ft mounting height, nominal 4ft beam width E15 Cross-Aisle/Stairs Light, 15ft mounting height, nominal 4ft beam width E20 Cross-Aisle/Stairs Light, 20ft mounting height, nominal 4ft beam width E25 Cross-Aisle/Stairs Light, 25ft mounting height, nominal 4ft beam width E30 Cross-Aisle/Stairs Light, 30ft mounting height, nominal 4ft beam width E35 Cross-Aisle/Stairs Light, 35ft mounting height, nominal 4ft beam width E40 Cross-Aisle/Stairs Light, 40ft mounting height, nominal 4ft beam width E45 Cross-Aisle/Stairs Light, 45ft mounting height, nominal 4ft beam width E2530 Cross-Aisle/Stairs Light, 25ft mounting height, 30" beam width E3030 Cross-Aisle/Stairs Light, 30ft mounting height, 30" beam width E3530 Cross-Aisle/Stairs Light, 35ft mounting height, 30" beam width	22 2200K 27 2700K 30 3000K 35 3500K 40 4000K RD Red BL Blue	BK Black	
		B Landing 3ft x 5ft beam pattern or 3ft x 3ft beam pattern	6 6ft	F10 Landing Light, 10ft mounting height, nominal 3ft x 5ft pattern F15 Landing Light, 15ft mounting height, nominal 3ft x 5ft pattern F20 Landing Light, 20ft mounting height, nominal 3ft x 5ft pattern F25 Landing Light, 25ft mounting height, nominal 3ft x 5ft pattern F30 Landing Light, 30ft mounting height, nominal 3ft x 5ft pattern F35 Landing Light, 35ft mounting height, nominal 3ft x 5ft pattern G25 Landing Light, 25ft mounting height, nominal 3ft x 3ft pattern G30 Landing Light, 30ft mounting height, nominal 3ft x 3ft pattern G35 Landing Light, 35ft mounting height, nominal 3ft x 3ft pattern			

HLS Cross-Aisle Pivot

AIMABLE SURFACE MOUNT SAFETY LIGHTING

REMOTE POWER SUPPLY

SYSTEM INTEGRATION ACCESSORIES

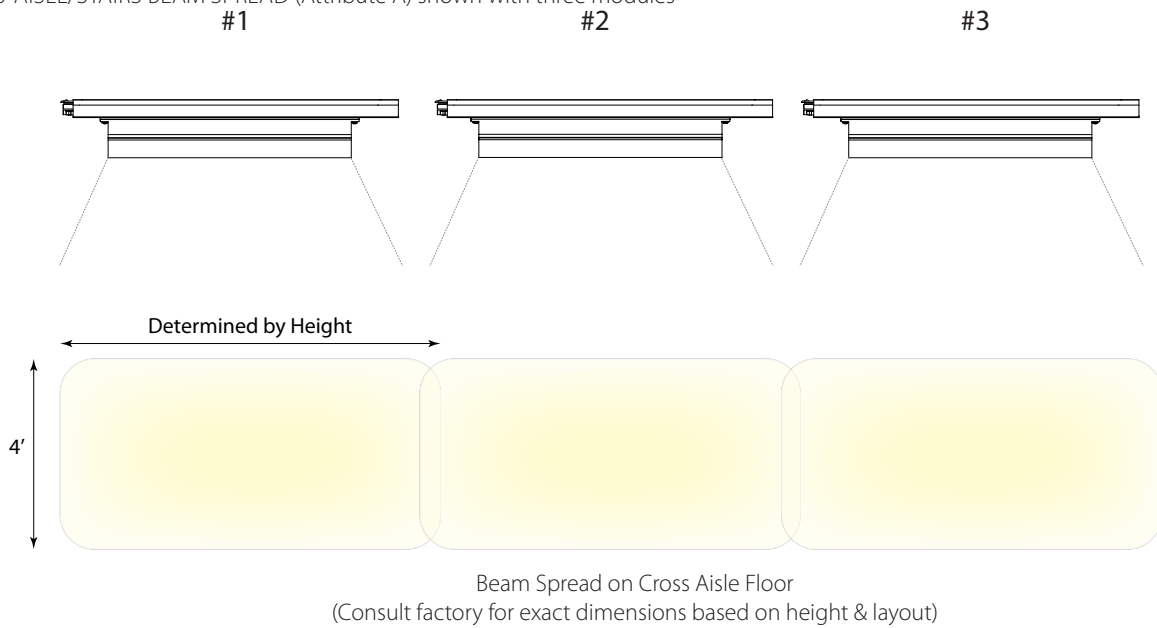
POWER ENCLOSURE Power Supplies (maximum of 5) in 48"x4"x4" Enclosure		
	PWR-ENC-24/X-48	X = Quantity of 40W (24V, 120V input) Triac Dimming Power Supplies for Aisle Light modules (E) Lutron Hi-lume 1% 2-wire LED driver (120V forward phase) - LTEA2W
MOUNTING HARDWARE		
	HLS-S-MTGCLIP	HLS Surface Mount T-Bar Clips (QTY 12). 2 clips required on every 6ft section (luminaire or wireway).
	HLS-S-MTGCLIP-SEISMIC	HLS Surface Mount T-Bar Clips (QTY 12) with Seismic Bracing Hanger.
	HLS-S-MTGADJ	HLS Surface fine tuning adjustment kit.
	HLS-S-PB-BK	HLS Surface Power Box, 2-Circuit, pre-wired plug and play connector, includes cover plate, black finish
	HLS-S-JBOX	HLS Surface J-Box for mounting on continuous t-grid spine Standard 2-gang j-box (by others) may be used when the power box is located within a tile
JUMPER FEED CABLE		
	HLS-S-JFC2-FM24-12	Jumper feed cable, female and male connector, 12 inches
	HLS-S-JFC2-FM24-24	Jumper feed cable, female and male connector, 24 inches
	HLS-S-JFC2-FM24-36	Jumper feed cable, female and male connector, 36 inches
POWER FEED CABLE		
	WIR-16-2BLU/2RED-PR	Plenum rated cable, 16 gauge, 4 wires-- 2 Blue / 2 Red, 300ft per reel
	HLS-S-PFC4-F24-180	Power Feed Cable with connector for HLS-S Surface 2-Circuit, 15ft
	HLS-S-PFC4-F24-360	Power Feed Cable with connector for HLS-S Surface 2-Circuit, 30ft
SURGE SUPPRESSION DEVICE A Tempo furnished surge suppression device must be installed on each supplying branch circuit to comply with Tempo's warranty terms		
	SSD-120	120V Branch Circuit
POWER INVERTERS Tempo's power inverters supply battery power backup to designated emergency lighting power supplies.		
	PWR-INV-125-120	Power Inverter, 125W, 120V Input/Output
	PWR-INV-250-120	Power Inverter, 250W, 120V Input/Output
	PWR-INV-375-120277	Power Inverter, 375W, 120V/120V or 277V/277V Input/Output

HLS Cross-Aisle Pivot

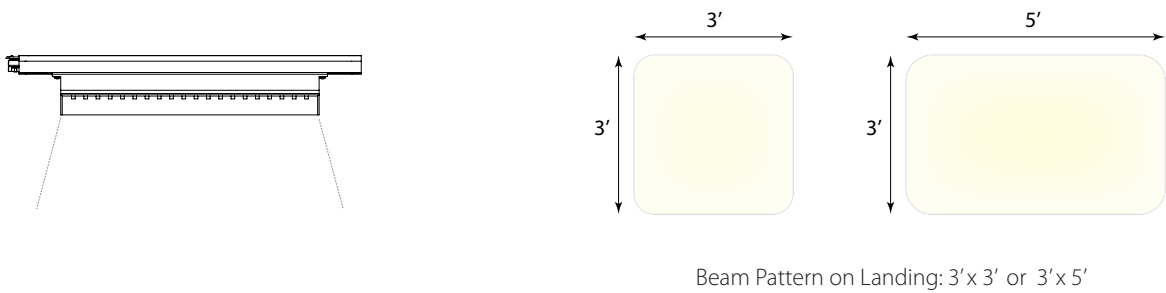
AIMABLE SURFACE MOUNT SAFETY LIGHTING
REMOTE POWER SUPPLY

SAMPLE CONFIGURATIONS

CROSS-AISLE/STAIRS BEAM SPREAD (Attribute A) shown with three modules



LANDING BEAM SPREAD (Attribute B)

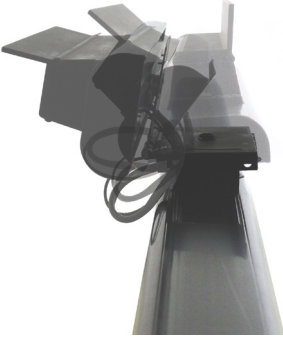


HLS Cross-Aisle Pivot

AIMABLE SURFACE MOUNT SAFETY LIGHTING
REMOTE POWER SUPPLY



ROTATES TO ALIGN WITH AISLES AND LANDINGS



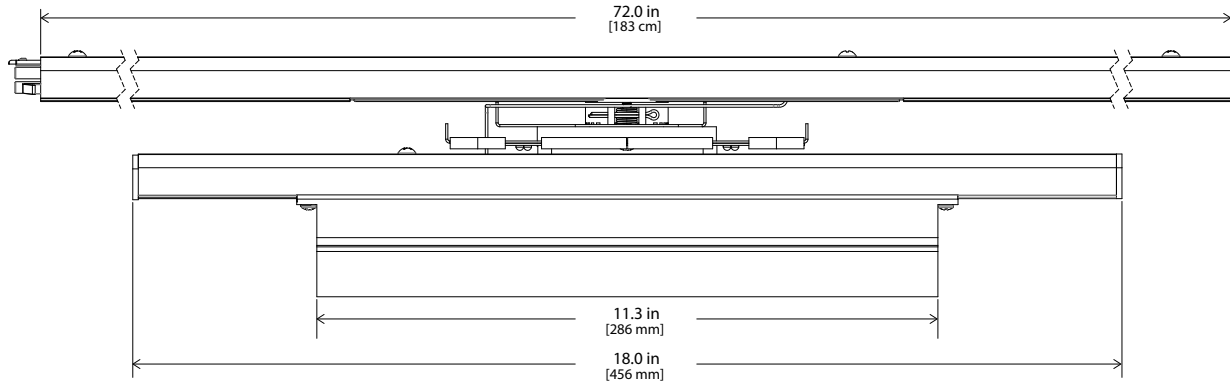
PIVOTS FOR PRECISE AIMING



HLS Cross-Aisle Pivot

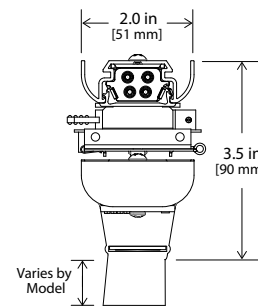
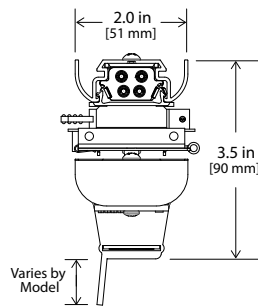
AIMABLE SURFACE MOUNT SAFETY LIGHTING
REMOTE POWER SUPPLY

DIMENSIONAL INFORMATION

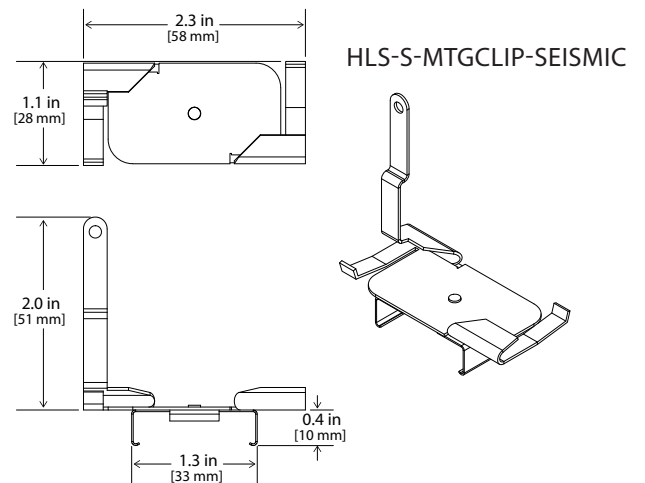
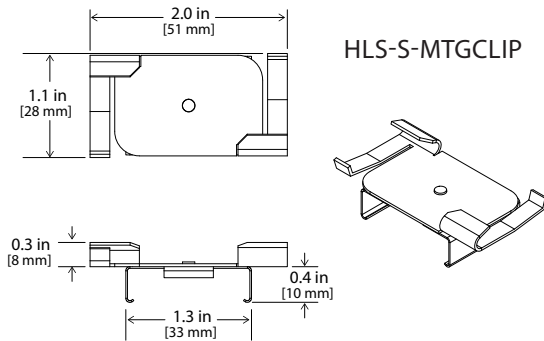


CROSS-AISLE/STAIRS LIGHTING SYSTEM (A)
Includes Side Shielding

LANDING LIGHTING SYSTEM (B)
Includes Side Shield & End Shielding



MOUNTING HARDWARE



Tempo products and technologies are protected under one or more US and International patents.

Tempo reserves the right to change materials or modify the design of its product without notification as part of the company's continuing product improvement program. Please consult www.tempollc.com for the most up-to-date specifications and technical data.