



## HLS House Lighting System

SURFACE MOUNT, 2-CIRCUIT  
REMOTE POWER SUPPLY

### APPLICATION

The House Lighting System (HLS) is designed to illuminate spaces requiring several lighting scenarios, such as theater or auditorium venues. Based on the Tempo CLiP® (Configurable Lighting Platform), luminaires may be configured with multiple 6"-12" lighting modules, each with different light distributions and/or intensity. Modules may be controlled with separate circuits and dimming controls to further tailor scenes. A typical cinema application would include luminaires configured with High Lumen modules for theater cleaning and High Uniformity dimming modules for house lighting, trailer and movie screening.

The HLS is available in two different platforms, one designed for continuous surface or suspension mounting and the other for recessed mounting in a T-Bar ceiling grid (see separate spec sheet). HLS Surface Mount is available in 2 circuit configurations for small to medium auditoriums and 4 circuit for large auditoriums (see separate spec sheet). The low voltage, remotely powered system centralizes control and servicing.

### CONSTRUCTION

- Extruded aluminum channel
- Thermally optimized die-cast aluminum light module housings
- Plug and play connectors for simplified installation
- CSA damp location listed

### OPTICS / LENS / DIFFUSER

- High Lumen Cleaning Light modules (A) consist of a 12" module. A lightly frosted dome lens, coupled with wide beam optics direct a LED array.
- High Uniformity House Light modules (B) consist of a pair of 6" modules or a single 6" module with a dome lens and high diffusion film over a high density array of LEDs.

### POWER SYSTEM

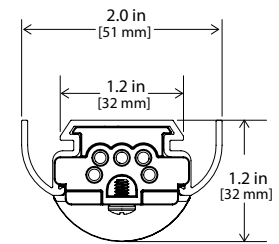
- Utilizes remote, low voltage DC power supply, 120V
- When a combination of High Lumen Cleaning Light and high Uniformity House Light modules are specified, the standard wiring configuration is dual circuit, with all High Lumen (A) modules on one circuit and High Uniformity (B) on the second circuit.

### PERFORMANCE

- Light output varies by configuration, see performance summary
- Lumen maintenance is greater than 85% at 86,000 hours for all product configurations (L85 at 86,000 hours)

### LIGHT CHARACTERISTICS

- Available in 2200K, 2700K, 3000K, 3500K, 4000K correlated color temperature. A different color temperature may be selected for High Lumen Cleaning Light modules (A) and High Uniformity House Light modules (B).
- Typical CRI of 80+
- LED's are selected and placed on the printed circuit boards via Tempo Industries' UniBin® process which ensures consistent hue and color within the entire installation. Color variations are held to a minimum, within a 2-step MacAdam ellipse.



2-Circuit shown.

### WARRANTY

Tempo provides a 5-year limited warranty. A 10-year limited warranty will apply when installed by a Tempo Certified Installer.



### PERFORMANCE SUMMARY All data nominal

Module Configuration		Watts/Module	Delivered Lumens
<b>A1</b> Circuit A	<b>Cleaning Light</b> , 12" module, wide beam optics, LED array (3500K test data shown)	12 W	700 lm
<b>B3</b> Circuit B	<b>House Light</b> , 6" pair (12" total), high uniformity dome lens, dense LED array (2700K test data shown)	10 W	720 lm
<b>B4</b> Circuit B	<b>House Light</b> , 6" single module, high uniformity dome lens, dense LED array (2700K test data shown)	5 W	360 lm

## HLS House Lighting System

SURFACE MOUNT, 2-CIRCUIT

REMOTE POWER SUPPLY

### ORDERING INFORMATION

Example: **Example: HLS-S-6-A135-B330-A135-BK**

HLS 2 -Circuit Surface, 6 ft, A135 [High Lumen Cleaning Light, 12" module, 3500K], B330 [High Uniformity House Light, 6" pair (12" total), 3000K], A135 [High Lumen Cleaning Light, 12" module, 3500K], Black

HLS						
PLATFORM			LIGHT MODULE CONFIGURATION <sup>4</sup>			
Series	Mounting	Fixture Length	Light Module Lens/LED Array		Color Temp	Finish
HLS	S Surface Mount T-Bar	6 6ft	A1	Circuit A - Cleaning Light, 12" module, wide beam optics, standard LED array	22 2200K	WH White
			B3	Circuit B Option - House Light, 6" pair (12" total), high uniformity dome lens, dense LED array	27 2700K	BK Black
			B4	Circuit B Option - House Light, 6" single module, high uniformity dome lens, dense LED array	30 3000K	
					35 3500K	
					40 4000K	

### SYSTEM INTEGRATION ACCESSORIES

POWER ENCLOSURE Power Supplies (maximum of 5) in 48"x4"x4" Enclosure		
	<b>PWR-ENC-24/X-36T/Y-48</b>	X = Quantity of 100W (24V, 120V input) Non-Dimming Power Supplies for Cleaning Light modules (A&C) Y = Quantity of 40W (36V, 120V input) Triac Dimming Power Supplies for House Light modules (B&D) Lutron Hi-Lume 1% 2-wire LED driver (120V forward phase) - LTEA2W
WIREWAY		
	<b>HLS-S-6-BK</b>	HLS Surface Wireway, 2-Circuit, pre-wired, includes plug and play connectors, 6ft.
MOUNTING HARDWARE		
	<b>HLS-S-MTGCLIP</b>	HLS Surface Mount T-Bar Clips (QTY 12). Minimum of 2 clips required for every 6ft section (luminaire or wireway).
	<b>HLS-S-MTGCLIP-EDGE</b>	HLS Surface Mount T-Bar Edge Clips (QTY 12).
	<b>HLS-S-MTGCLIP-SEISMIC</b>	HLS Surface Mount T-Bar Clips (QTY 12) with Seismic Bracing Hanger.
	<b>HLS-S-PB-BK</b>	HLS Surface Power Box, 2-Circuit, pre-wired with plug and play connector, includes cover plate, black finish
	<b>HLS-S-JBOX</b>	HLS Surface J-Box for mounting on continuous t-grid spine Standard 2-gang j-box (by others) may be used when the power box is located within a tile
POWER FEED CABLE		
	<b>WIR-16-2BLU/2RED-PR</b>	Plenum rated cable, 16 gauge, 4 wires- 2 Blue / 2 Red, 300ft per reel
	<b>HLS-S-PFC4-F24/36-180</b>	Power Feed Cable with connector for HLS-S Surface 2-Circuit (used in lieu of HLS-S-PB Power Box), 15ft
	<b>HLS-S-PFC4-F24/36-360</b>	Power Feed Cable with connector for HLS-S Surface 2-Circuit (used in lieu of HLS-S-PB Power Box), 30ft
SURGE SUPPRESSION DEVICE A Tempo furnished surge suppression device must be installed on each supplying branch circuit to comply with Tempo's warranty terms		
	<b>SSD-120</b>	120V Branch Circuit
	<b>SSD-277</b>	277V Branch Circuit

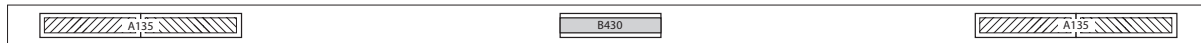
## HLS House Lighting System

SURFACE MOUNT, 2-CIRCUIT

REMOTE POWER SUPPLY

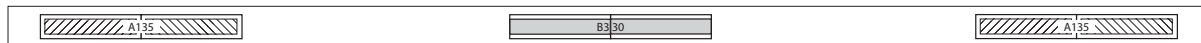
### DIMENSIONAL INFORMATION - SURFACE MOUNTED

#### SAMPLE CONFIGURATIONS



HLS-S-6-A135-B430-A135-BK

HLS Surface Mount, 2-Circuit, 6ft, A135 [High Lumen **Cleaning Light**, 12", 3500K], B430 [High Uniformity **House Light**, 6" single, 3000K], A135 [High Lumen **Cleaning Light**, 12", 3500K] Black



HLS-S-6-A135-B330-A135-BK

HLS Surface Mount, 2-Circuit, 6ft, A135 [High Lumen **Cleaning Light**, 12", 3500K], B330 [High Uniformity **House Light**, 12", 3000K], A135 [High Lumen **Cleaning Light**, 6" pair (12" total), 3500K], Black



HLS-S-6-BK

HLS Surface Mount, 2-Circuit, 6ft Wireway

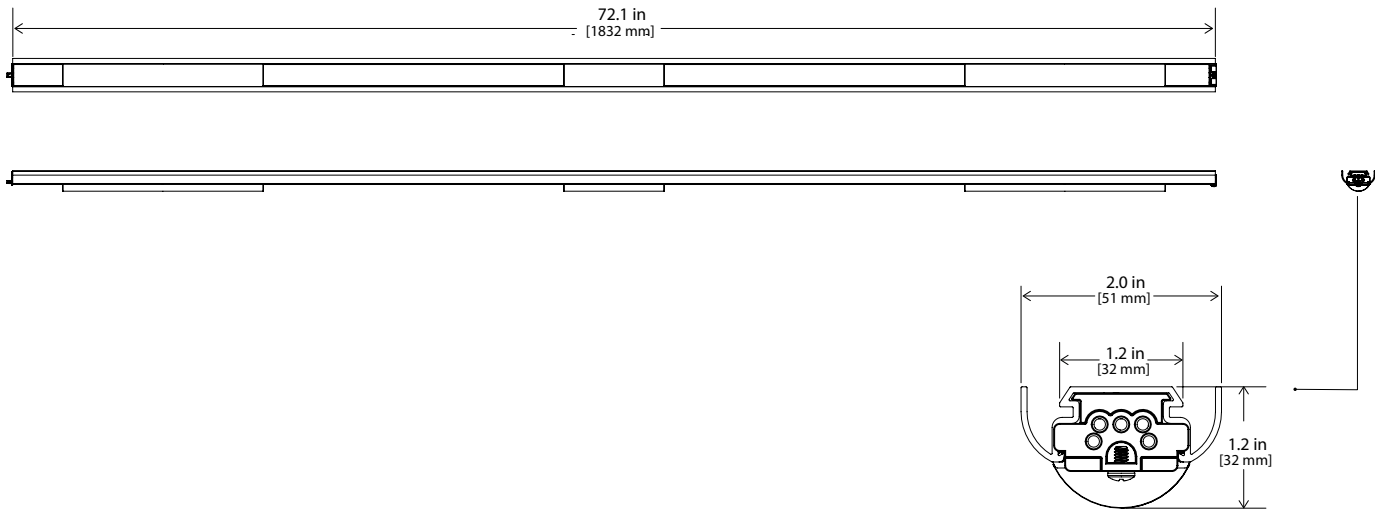
# HLS House Lighting System

SURFACE MOUNT, 2-CIRCUIT

REMOTE POWER SUPPLY

## DIMENSIONAL INFORMATION - SURFACE MOUNTED

2-CIRCUIT SYSTEM



## HLS House Lighting System

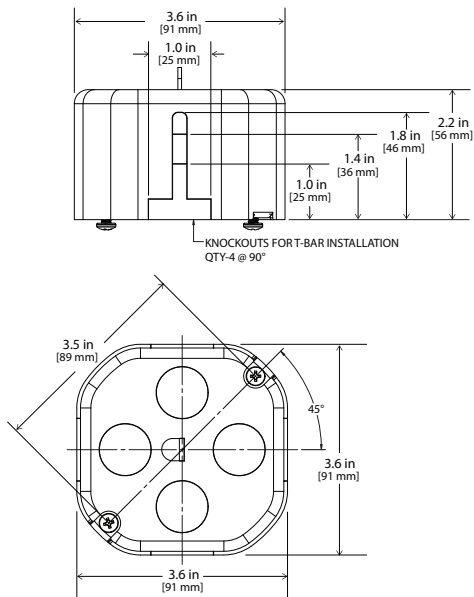
SURFACE MOUNT, 2-CIRCUIT

REMOTE POWER SUPPLY

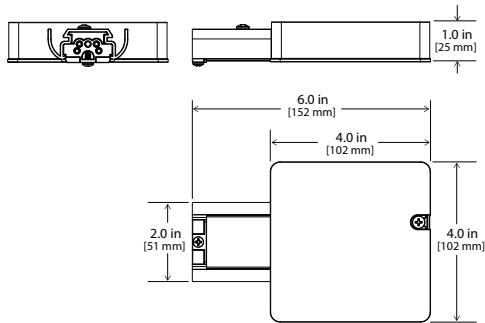
### DIMENSIONAL INFORMATION - MOUNTING HARDWARE

#### 2-CIRCUIT SYSTEM

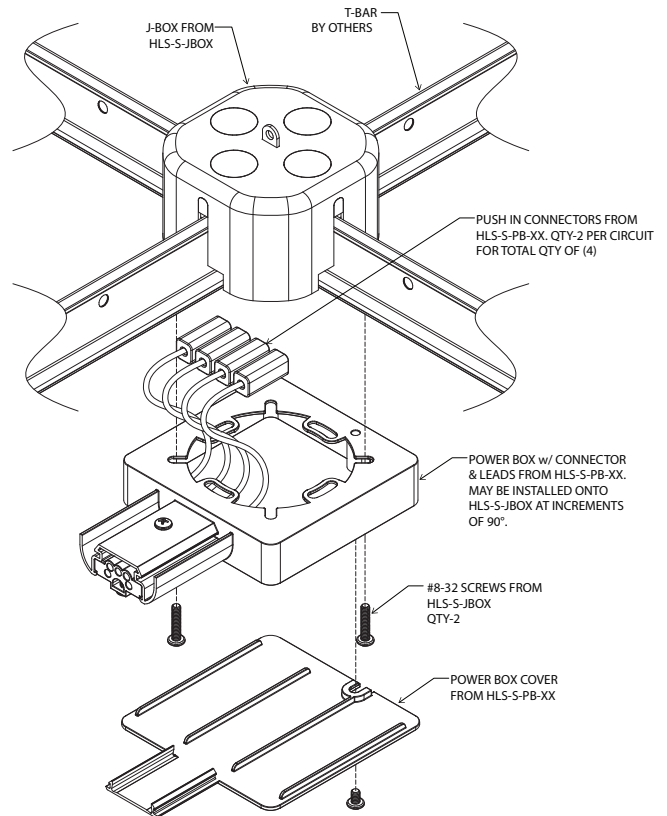
##### HLS-S-JBOX



##### HLS-S-PB



##### HLS-S-PB & HLS-S-JBOX ASSEMBLY



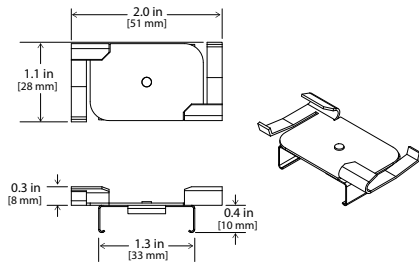
## HLS House Lighting System

SURFACE MOUNT, 2-CIRCUIT

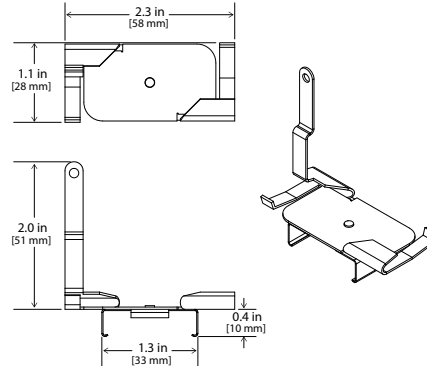
REMOTE POWER SUPPLY

### MOUNTING HARDWARE

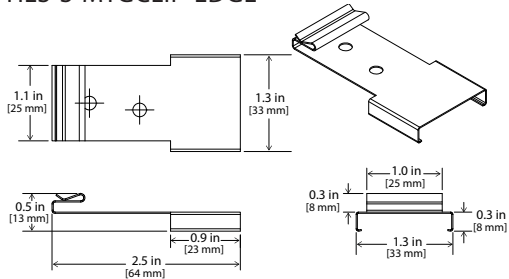
#### HLS-S-MTGCLIP



#### HLS-S-MTGCLIP-SEISMIC



#### HLS-S-MTGCLIP-EDGE



Tempo products and technologies are protected under one or more US and International patents.

Tempo reserves the right to change materials or modify the design of its product without notification as part of the company's continuing product improvement program. Please consult [www.tempollc.com](http://www.tempollc.com) for the most up-to-date specifications and technical data.