



## HLS House Lighting System (metric)

SURFACE MOUNT, 2-CIRCUIT

REMOTE POWER SUPPLY

### APPLICATION

The House Lighting System (HLS) is designed to illuminate spaces requiring several lighting scenarios, such as theater or auditorium venues. Based on the Tempo CLiP<sup>®</sup> (Configurable Lighting Platform), luminaires may be configured with multiple 150mm and 300mm lighting modules, each with different light distributions and/or intensity. Modules may be controlled with separate circuits and dimming controls to further tailor scenes. A typical cinema application would include luminaires configured with High Lumen modules for theater cleaning and High Uniformity dimming modules for house lighting, trailer and movie screening.

The HLS is available in two different platforms, one designed for continuous surface or suspension mounting and the other for recessed mounting in a T-Bar ceiling grid (see separate spec sheet). HLS Surface Mount is available in 2 circuit configurations for small to medium auditoriums and 4 circuit for large auditoriums (see separate spec sheet). The low voltage, remotely powered system centralizes control and servicing.

### CONSTRUCTION

- Extruded aluminum channel
- Thermally optimized die-cast aluminum light module housings
- Plug and play connectors for simplified installation
- CSA damp location listed

### OPTICS / LENS / DIFFUSER

- High Lumen Cleaning Light modules (A) consist of a 300mm module. A lightly frosted dome lens, coupled with wide beam optics direct a LED array.
- High Uniformity House Light modules (B) consist of a pair of 150mm modules or a single 150mm module with a dome lens and high diffusion film over a high density array of LEDs.

### POWER SYSTEM

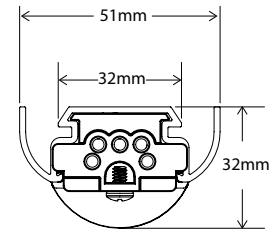
- Utilizes remote, low voltage DC power supply, 120V
- When a combination of High Lumen Cleaning Light and high Uniformity House Light modules are specified, the standard wiring configuration is dual circuit, with all High Lumen (A) modules on one circuit and High Uniformity (B) on the second circuit.

### PERFORMANCE

- Light output varies by configuration, see performance summary
- Lumen maintenance is greater than 85% at 86,000 hours for all product configurations (L85 at 86,000 hours)

### LIGHT CHARACTERISTICS

- Available in 2200K, 2700K, 3000K, 3500K, 4000K correlated color temperature. A different color temperature may be selected for High Lumen Cleaning Light modules (A) and High Uniformity House Light modules (B).
- Typical CRI of 80+
- LED's are selected and placed on the printed circuit boards via Tempo Industries' UniBin<sup>®</sup> process which ensures consistent hue and color within the entire installation. Color variations are held to a minimum, within a 2-step MacAdam ellipse.



### WARRANTY

Tempo provides a 5-year limited warranty. A 10-year limited warranty will apply when installed by a Tempo Certified Installer.



## PERFORMANCE SUMMARY All data nominal

Module Configuration		Watts/Module	Delivered Lumens
<b>A1</b> Circuit A or <b>C1</b> Circuit C	<b>Cleaning Light</b> , 300mm module, wide beam optics, LED array (3500K test data shown)	12 W	700 lm
<b>B3</b> Circuit B or <b>D3</b> Circuit D	<b>House Light</b> , 150mm pair (300mm total), high uniformity dome lens, dense LED array (2700K test data shown)	10 W	720 lm
<b>B4</b> Circuit B or <b>D4</b> Circuit D	<b>House Light</b> , 150mm single module, high uniformity dome lens, dense LED array (2700K test data shown)	5 W	360 lm

## HLS House Lighting System (metric)

SURFACE MOUNT, 2-CIRCUIT

REMOTE POWER SUPPLY

### ORDERING INFORMATION

Example: **Example: HLS-S-1800-A135-B330-A135-BK**

HLS 2 -Circuit Surface, 1800mm, A135 [High Lumen Cleaning Light, 300mm module, 3500K], B330 [High Uniformity House Light, 150mm pair (300mm total), 3000K], A135 [High Lumen Cleaning Light, 300mm module, 3500K], Black

HLS											
PLATFORM				LIGHT MODULE CONFIGURATION							
Series	Mounting	Fixture Length		Light Module Lens/LED Array			Color Temp		Finish		
HLS	S Surface Mount T-Bar	1800	1800mm	A1	Circuit A - Cleaning Light, 300mm module, wide beam optics, standard LED array			22	2200K	WH	White
				B3	Circuit B Option - House Light, 150mm pair (300mm total), high uniformity dome lens, dense LED array			27	2700K	BK	Black
				B4	Circuit B Option - House Light, 150mm single module, high uniformity dome lens, dense LED array			30	3000K		
								35	3500K		
								40	4000K		

### SYSTEM INTEGRATION ACCESSORIES

POWER ENCLOSURE Power Supplies (maximum of 5) in 1200mmx100mmx100mm Enclosure		
	PWR-ENC-24/X-24D/Y-48	X = Quantity of 100W (24V, 120V input) Non-Dimming Power Supplies for Cleaning Light modules (A&C) Y = Quantity of 100W (24V, 120V input) Dimming Power Supplies for House Light modules (B&D) Lutron Hi-Lume 1% 2-wire LED driver (120V forward phase) - LTEA2W
WIREWAY		
	HLS-S-6-BK	HLS Surface Wireway, 2-Circuit, pre-wired, includes plug and play connectors, 1800mm
MOUNTING HARDWARE		
	HLS-S-MTGCLIP	HLS Surface Mount T-Bar Clips (QTY 12). Minimum of 2 clips required for every 1800mm section (luminaire or wireway).
	HLS-S-MTGCLIP-EDGE	HLS Surface Mount T-Bar Edge Clips (QTY 12).
	HLS-S-MTGCLIP-SEISMIC	HLS Surface Mount T-Bar Clips (QTY 12) with Seismic Bracing Hanger.
	HLS-S-PB-BK	HLS Surface Power Box, 2-Circuit, pre-wired with plug and play connector, includes cover plate, black finish
	HLS-S-JBOX	HLS Surface J-Box for mounting on continuous t-grid spine Standard 2-gang j-box (by others) may be used when the power box is located within a tile
POWER FEED CABLE		
	WIR-16-2BLU/2RED-PR	Plenum rated cable, 16 gauge, 4 wires- 2 Blue / 2 Red, 91m per reel
	HLS-S-PFC4-F24/24-180	Power Feed Cable with connector for HLS-S Surface 2-Circuit (used in lieu of HLS-S-PB Power Box), 4500mm
	HLS-S-PFC4-F24/24-360	Power Feed Cable with connector for HLS-S Surface 2-Circuit (used in lieu of HLS-S-PB Power Box), 9000mm
SURGE SUPPRESSION DEVICE A Tempo furnished surge suppression device must be installed on each supplying branch circuit to comply with Tempo's warranty terms		
	SSD-120	120V Branch Circuit
	SSD-277	277V Branch Circuit
POWER INVERTERS Tempo's power inverters supply battery power backup to designated emergency lighting power supplies.		
	PWR-INV-125-120	Power Inverter, 125W, 120V Input/Output
	PWR-INV-250-120	Power Inverter, 250W, 120V Input/Output
	PWR-INV-375-120277	Power Inverter, 375W, 120V/120V or 277V/277V Input/Output

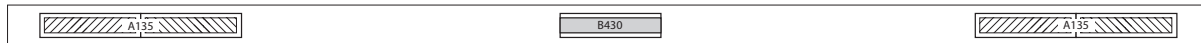
## HLS House Lighting System (metric)

SURFACE MOUNT, 2-CIRCUIT

REMOTE POWER SUPPLY

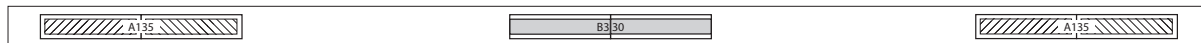
### DIMENSIONAL INFORMATION - SURFACE MOUNTED

#### SAMPLE CONFIGURATIONS



HLS-S-6-A135-B430-A135-BK

HLS Surface Mount, 2-Circuit, 1800mm, A135 [High Lumen **Cleaning Light**, 300mm, 3500K], B430 [High Uniformity **House Light**, 150mm single, 3000K], A135 [High Lumen **Cleaning Light**, 300mm, 3500K] Black



HLS-S-6-A135-B330-A135-BK

HLS Surface Mount, 2-Circuit, 1800mm, A135 [High Lumen **Cleaning Light**, 300mm, 3500K], B330 [High Uniformity **House Light**, 300mm, 3000K], A135 [High Lumen **Cleaning Light**, 150mm pair (300mm total), 3500K], Black



HLS-S-6-BK

HLS Surface Mount, 2-Circuit, 1800mm Wireway

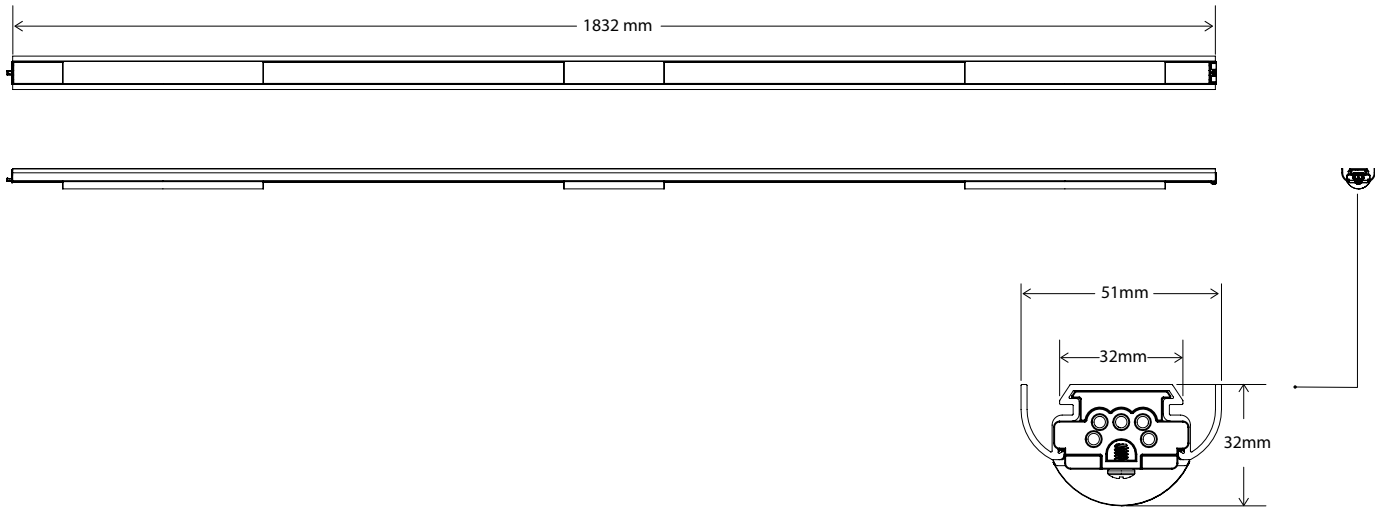
# HLS House Lighting System (metric)

SURFACE MOUNT, 2-CIRCUIT

REMOTE POWER SUPPLY

## DIMENSIONAL INFORMATION - SURFACE MOUNTED

2-CIRCUIT SYSTEM



## HLS House Lighting System (metric)

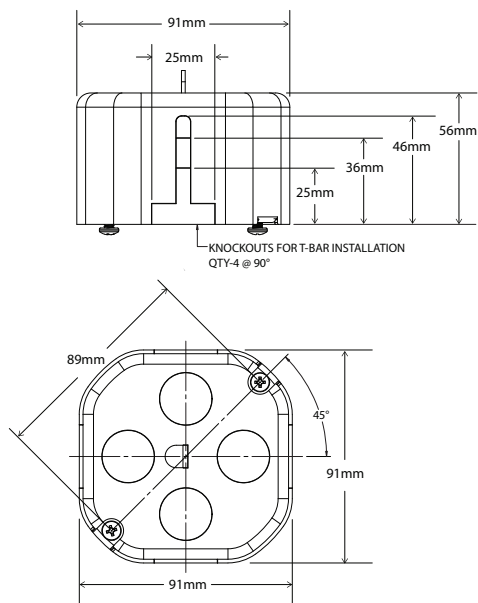
SURFACE MOUNT, 2-CIRCUIT

REMOTE POWER SUPPLY

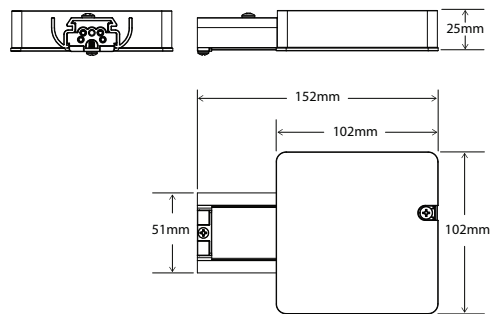
### DIMENSIONAL INFORMATION - MOUNTING HARDWARE

#### 2-CIRCUIT SYSTEM

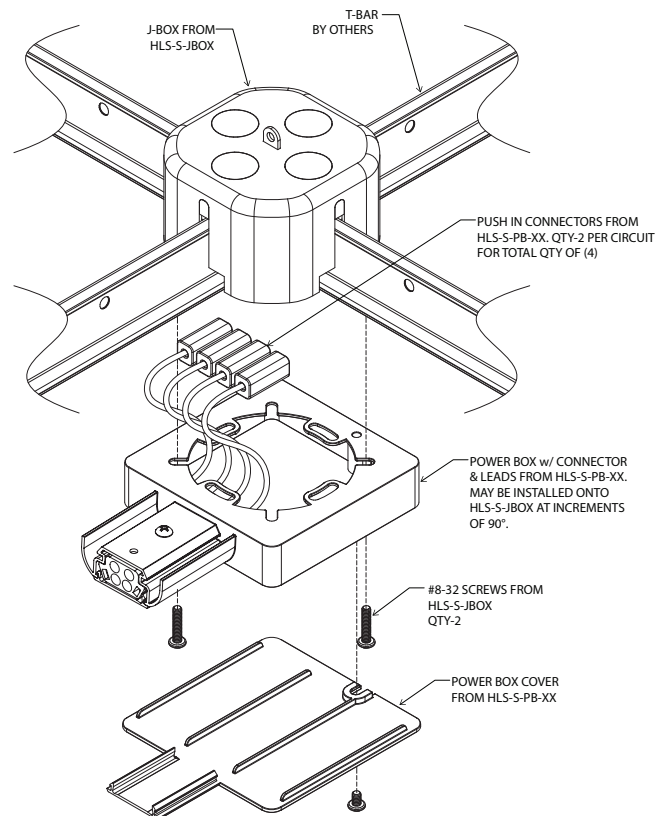
##### HLS-S-JBOX



##### HLS-S-PB



##### HLS-S-PB & HLS-S-JBOX ASSEMBLY



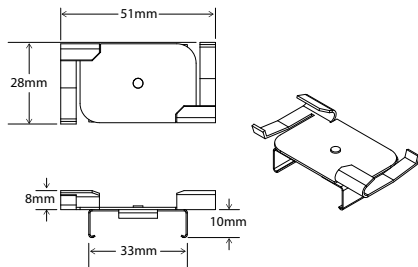
## HLS House Lighting System (metric)

SURFACE MOUNT, 2-CIRCUIT

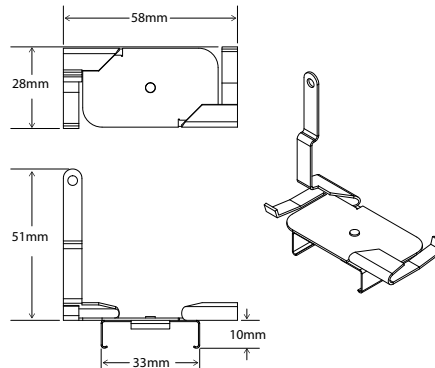
REMOTE POWER SUPPLY

### MOUNTING HARDWARE

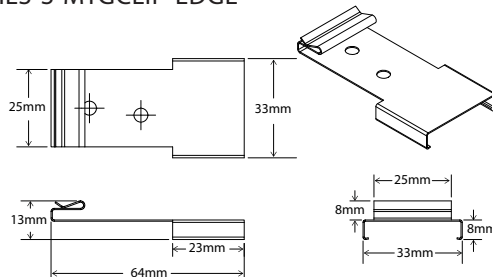
#### HLS-S-MTGCLIP



#### HLS-S-MTGCLIP-SEISMIC



#### HLS-S-MTGCLIP-EDGE



Tempo products and technologies are protected under one or more US and International patents.

Tempo reserves the right to change materials or modify the design of its product without notification as part of the company's continuing product improvement program. Please consult [www.tempollc.com](http://www.tempollc.com) for the most up-to-date specifications and technical data.