



HLS House Lighting System (metric)

SURFACE MOUNT, 2-CIRCUIT

REMOTE POWER SUPPLY

APPLICATION

The House Lighting System (HLS) is designed to illuminate spaces requiring several lighting scenarios, such as theater or auditorium venues. Based on the Tempo CLiP[®] (Configurable Lighting Platform), luminaires may be configured with multiple 150mm and 300mm lighting modules, each with different light distributions and/or intensity. Modules may be controlled with separate circuits and dimming controls to further tailor scenes. A typical cinema application would include luminaires configured with High Lumen modules for theater cleaning and High Uniformity dimming modules for house lighting, trailer and movie screening.

The HLS is available in two different platforms, one designed for continuous surface or suspension mounting and the other for recessed mounting in a T-Bar ceiling grid (see separate spec sheet). HLS Surface Mount is available in 2 circuit configurations for small to medium auditoriums and 4 circuit for large auditoriums (see separate spec sheet). The low voltage, remotely powered system centralizes control and servicing.

CONSTRUCTION

- Extruded aluminum channel
- Thermally optimized die-cast aluminum light module housings
- Plug and play connectors for simplified installation
- CSA damp location listed

OPTICS / LENS / DIFFUSER

- High Lumen Cleaning Light modules (A) consist of a 300mm module. A lightly frosted dome lens, coupled with wide beam optics direct a LED array.
- High Uniformity House Light modules (B) consist of a pair of 150mm modules or a single 150mm module with a dome lens and high diffusion film over a high density array of LEDs.

POWER SYSTEM

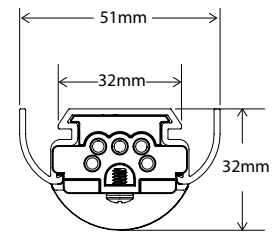
- Utilizes remote, low voltage DC power supply, 120V
- When a combination of High Lumen Cleaning Light and high Uniformity House Light modules are specified, the standard wiring configuration is dual circuit, with all High Lumen (A) modules on one circuit and High Uniformity (B) on the second circuit.

PERFORMANCE

- Light output varies by configuration, see performance summary
- Lumen maintenance is greater than 85% at 86,000 hours for all product configurations (L85 at 86,000 hours)

LIGHT CHARACTERISTICS

- Available in 2200K, 2700K, 3000K, 3500K, 4000K correlated color temperature. A different color temperature may be selected for High Lumen Cleaning Light modules (A) and High Uniformity House Light modules (B).
- Typical CRI of 80+
- LED's are selected and placed on the printed circuit boards via Tempo Industries' UniBin[®] process which ensures consistent hue and color within the entire installation. Color variations are held to a minimum, within a 2-step MacAdam ellipse.



WARRANTY

Tempo provides a 5-year limited warranty. A 10-year limited warranty will apply when installed by a Tempo Certified Installer.



PERFORMANCE SUMMARY All data nominal

| Module Configuration | | Watts/Module | Delivered Lumens |
|--|---|--------------|------------------|
| A1 Circuit A or C1 Circuit C | Cleaning Light , 300mm module, wide beam optics, LED array (3500K test data shown) | 12 W | 700 lm |
| B3 Circuit B or D3 Circuit D | House Light , 150mm pair (300mm total), high uniformity dome lens, dense LED array (2700K test data shown) | 10 W | 720 lm |
| B4 Circuit B or D4 Circuit D | House Light , 150mm single module, high uniformity dome lens, dense LED array (2700K test data shown) | 5 W | 360 lm |

HLS House Lighting System (metric)

SURFACE MOUNT, 2-CIRCUIT

REMOTE POWER SUPPLY

ORDERING INFORMATION

Example: **Example: HLS-S-1800-A135-B330-A135-BK**

HLS 2 -Circuit Surface, 1800mm, A135 [High Lumen Cleaning Light, 300mm module, 3500K], B330 [High Uniformity House Light, 150mm pair (300mm total), 3000K], A135 [High Lumen Cleaning Light, 300mm module, 3500K], Black

| HLS | | | | | | | | | | | |
|----------|-----------------------|----------------|--------|-----------------------------|--|--|------------|--------|-------|----|-------|
| PLATFORM | | | | LIGHT MODULE CONFIGURATION | | | | | | | |
| Series | Mounting | Fixture Length | | Light Module Lens/LED Array | | | Color Temp | Finish | | | |
| HLS | S Surface Mount T-Bar | 1800 | 1800mm | A1 | Circuit A - Cleaning Light, 300mm module, wide beam optics, standard LED array | | | 22 | 2200K | WH | White |
| | | | | B3 | Circuit B Option - House Light, 150mm pair (300mm total), high uniformity dome lens, dense LED array | | | 27 | 2700K | BK | Black |
| | | | | B4 | Circuit B Option - House Light, 150mm single module, high uniformity dome lens, dense LED array | | | 30 | 3000K | | |
| | | | | | | | | 35 | 3500K | | |
| | | | | | | | | 40 | 4000K | | |

SYSTEM INTEGRATION ACCESSORIES

| POWER ENCLOSURE Power Supplies (maximum of 5) in 1200mmx100mmx100mm Enclosure | | |
|--|-----------------------|--|
| | PWR-ENC-24/X-24D/Y-48 | X = Quantity of 100W (24V, 120V input) Non-Dimming Power Supplies for Cleaning Light modules (A&C) Y = Quantity of 100W (24V, 120V input) Dimming Power Supplies for House Light modules (B&D) Lutron Hi-Lume 1% 2-wire LED driver (120V forward phase) - LTEA2W |
| WIREWAY | | |
| | HLS-S-6-BK | HLS Surface Wireway, 2-Circuit, pre-wired, includes plug and play connectors, 1800mm |
| MOUNTING HARDWARE | | |
| | HLS-S-MTGCLIP | HLS Surface Mount T-Bar Clips (QTY 12). Minimum of 2 clips required for every 1800mm section (luminaire or wireway). |
| | HLS-S-MTGCLIP-EDGE | HLS Surface Mount T-Bar Edge Clips (QTY 12). |
| | HLS-S-MTGCLIP-SEISMIC | HLS Surface Mount T-Bar Clips (QTY 12) with Seismic Bracing Hanger. |
| | HLS-S-PB-BK | HLS Surface Power Box, 2-Circuit, pre-wired with plug and play connector, includes cover plate, black finish |
| | HLS-S-JBOX | HLS Surface J-Box for mounting on continuous t-grid spine Standard 2-gang j-box (by others) may be used when the power box is located within a tile |
| POWER FEED CABLE | | |
| | WIR-16-2BLU/2RED-PR | Plenum rated cable, 16 gauge, 4 wires- 2 Blue / 2 Red, 91m per reel |
| | HLS-S-PFC4-F24/24-180 | Power Feed Cable with connector for HLS-S Surface 2-Circuit (used in lieu of HLS-S-PB Power Box), 4500mm |
| | HLS-S-PFC4-F24/24-360 | Power Feed Cable with connector for HLS-S Surface 2-Circuit (used in lieu of HLS-S-PB Power Box), 9000mm |
| SURGE SUPPRESSION DEVICE A Tempo furnished surge suppression device must be installed on each supplying branch circuit to comply with Tempo's warranty terms | | |
| | SSD-120 | 120V Branch Circuit |
| | SSD-277 | 277V Branch Circuit |

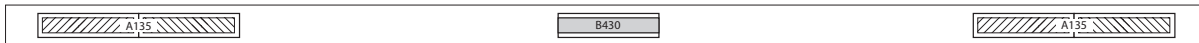
HLS House Lighting System (metric)

SURFACE MOUNT, 2-CIRCUIT

REMOTE POWER SUPPLY

DIMENSIONAL INFORMATION - SURFACE MOUNTED

SAMPLE CONFIGURATIONS



HLS-S-6-A135-B430-A135-BK

HLS Surface Mount, 2-Circuit, 1800mm, A135 [High Lumen **Cleaning Light**, 300mm, 3500K], B430 [High Uniformity **House Light**, 150mm single, 3000K], A135 [High Lumen **Cleaning Light**, 300mm, 3500K] Black



HLS-S-6-A135-B330-A135-BK

HLS Surface Mount, 2-Circuit, 1800mm, A135 [High Lumen **Cleaning Light**, 300mm, 3500K], B330 [High Uniformity **House Light**, 300mm, 3000K], A135 [High Lumen **Cleaning Light**, 150mm pair (300mm total), 3500K], Black



HLS-S-6-BK

HLS Surface Mount, 2-Circuit, 1800mm Wireway

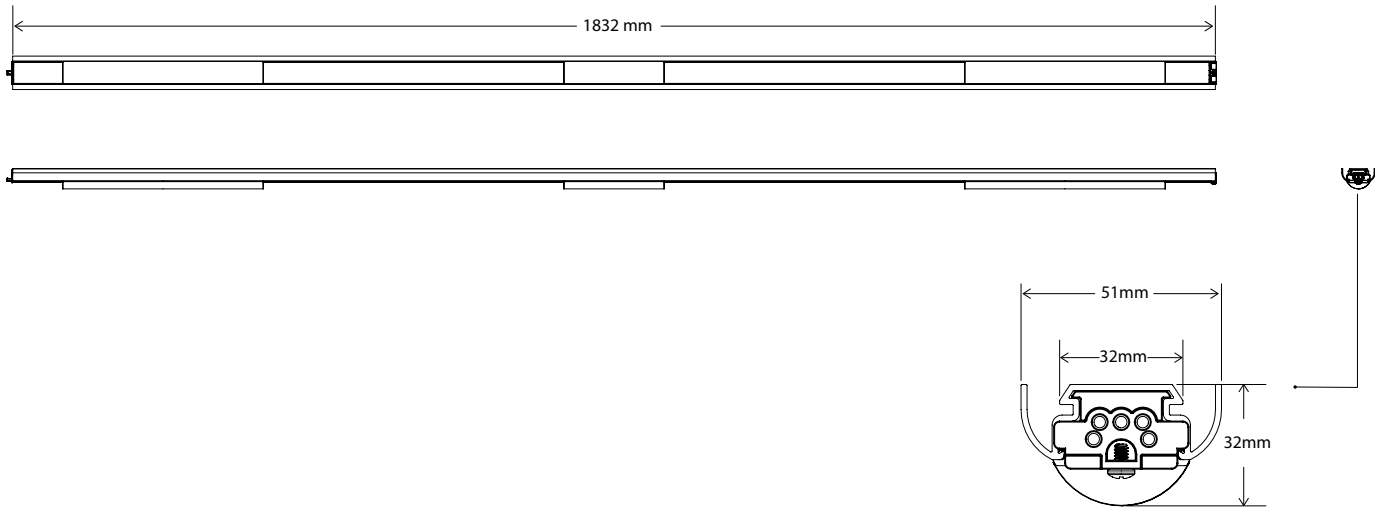
HLS House Lighting System (metric)

SURFACE MOUNT, 2-CIRCUIT

REMOTE POWER SUPPLY

DIMENSIONAL INFORMATION - SURFACE MOUNTED

2-CIRCUIT SYSTEM



HLS House Lighting System (metric)

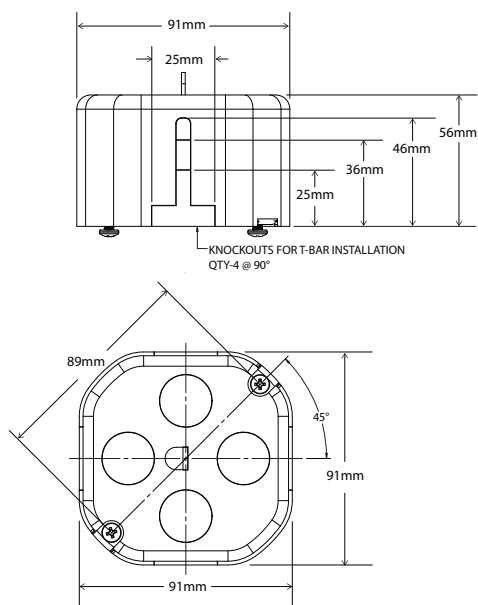
SURFACE MOUNT, 2-CIRCUIT

REMOTE POWER SUPPLY

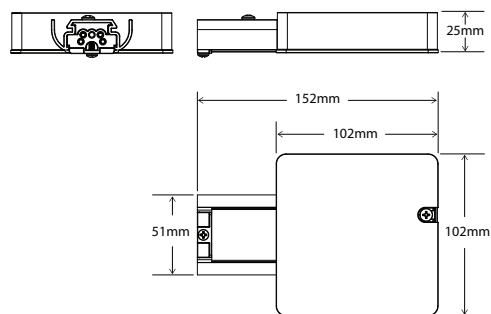
DIMENSIONAL INFORMATION - MOUNTING HARDWARE

2-CIRCUIT SYSTEM

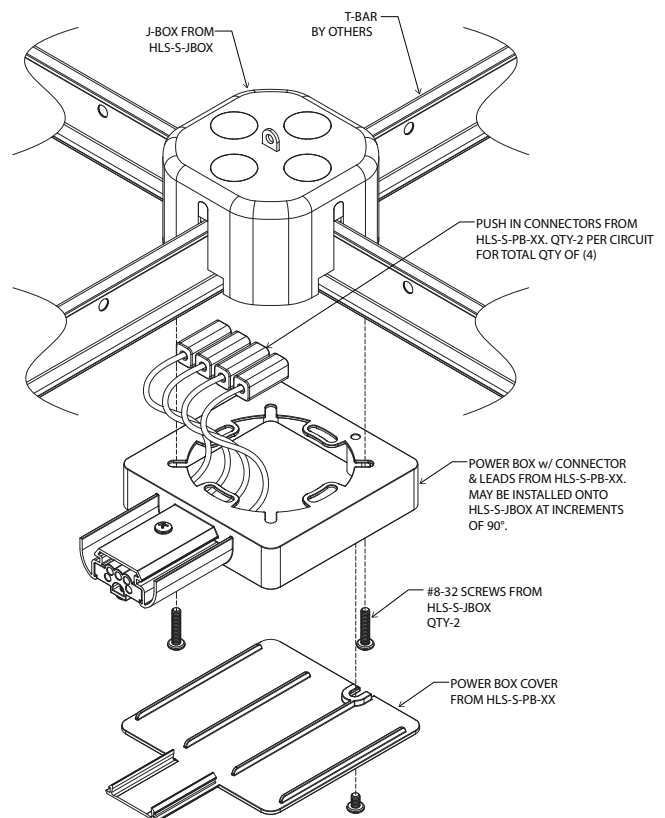
HLS-S-JBOX



HLS-S-PB



HLS-S-PB & HLS-S-JBOX ASSEMBLY



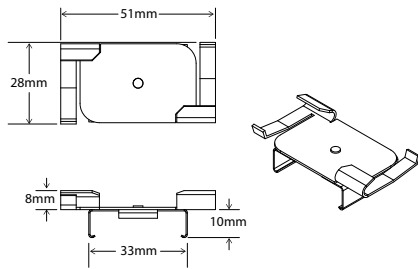
HLS House Lighting System (metric)

SURFACE MOUNT, 2-CIRCUIT

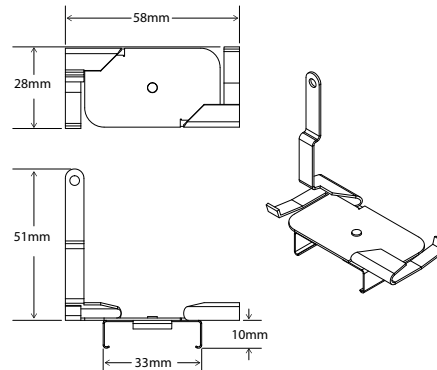
REMOTE POWER SUPPLY

MOUNTING HARDWARE

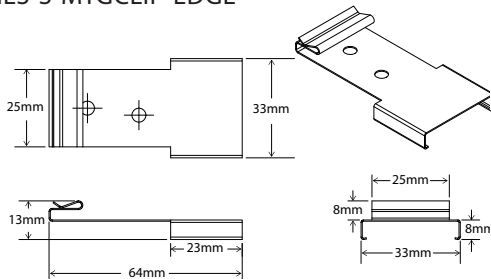
HLS-S-MTGCLIP



HLS-S-MTGCLIP-SEISMIC



HLS-S-MTGCLIP-EDGE



Tempo products and technologies are protected under one or more US and International patents.

Tempo reserves the right to change materials or modify the design of its product without notification as part of the company's continuing product improvement program. Please consult www.tempollc.com for the most up-to-date specifications and technical data.