

Vertical Light LED

VLP WITH POST MOUNT



INSTALLATION INSTRUCTIONS

Ratings, Hardware and Warning.....	Page 1
Installation Instructions.....	Page 2-3

ELECTRICAL RATINGS

The Vertical Light Post is a low voltage system, operating at 12V.

HARDWARE PROVIDED (BY OTHERS)

- 1) Anchor bolts and nuts
- 2) Hand Drill
- 3) Wrench

SUGGESTED COMPANION PRODUCTS:

- 1) LPS Inline Raceway Junction Box
- 2) LPS Carpet to Floor
- 3) Magnetic Low Voltage Transformers

WARNING:



Read and understand these instructions before installing.

This product must be installed in accordance with the applicable installation code by a person familiar with the construction and operation of the product and the hazards involved.

Turn off main power supply before you start installing Vertical Light Post.

Vertical Light LED

VLP WITH POST MOUNT

INSTALLATION

STEP 1

After locating desired location for VLP, mark and drill using below dimensions as reference for anchoring fixture to floor using anchor bolts and nuts to secure, as shown in **Figure 1**.

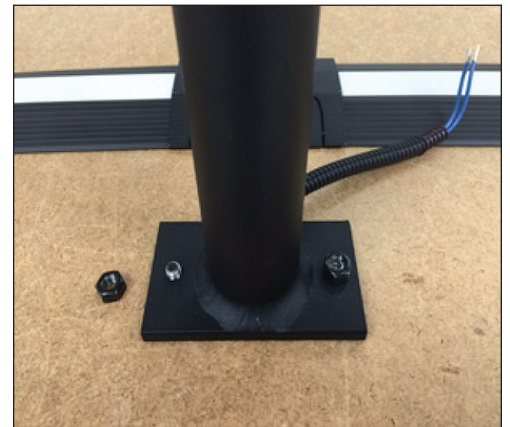
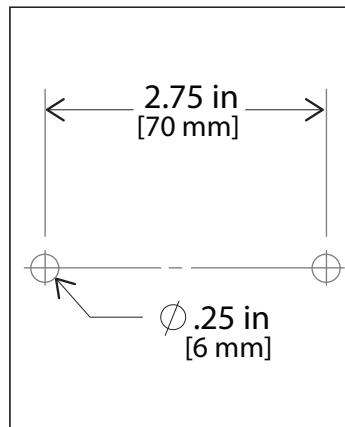


Figure 1

STEP 2

Run wiring into j-box as shown in **Figure 2**.

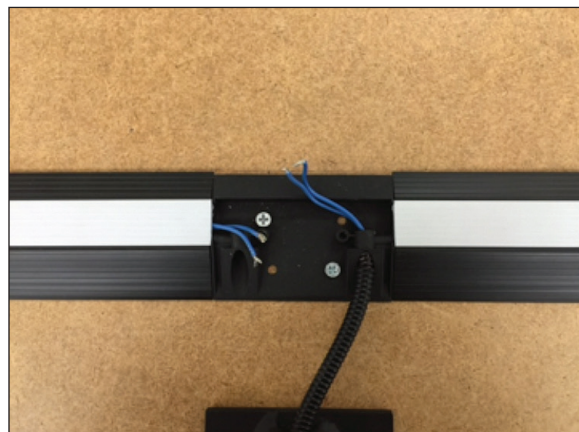


Figure 2

(Also shown, Raceway Junction Box)

Vertical Light LED

VLP WITH POST MOUNT

INSTALLATION (continued)

STEP 3

Connect wires with wire nuts as shown in **Figure 3**, or using butt connectors, soldering, etc. Connection to be made per local code.



Figure 3

(Also shown, Raceway Junction Box and Raceway)

STEP 4

Attach J-Box cover as shown in **Figure 4**.



Figure 4

(Also shown, Raceway Junction Box and Raceway)