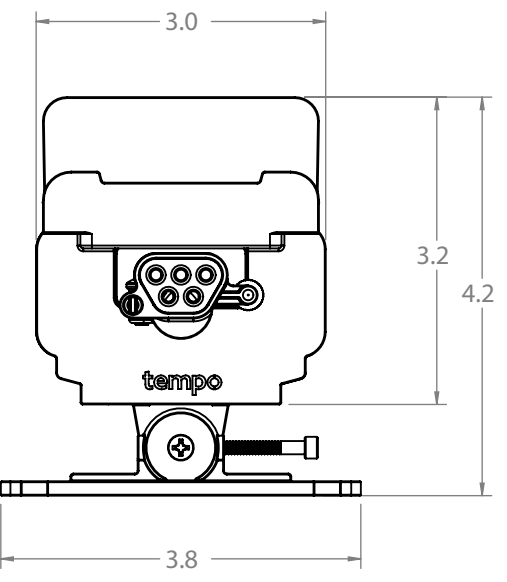
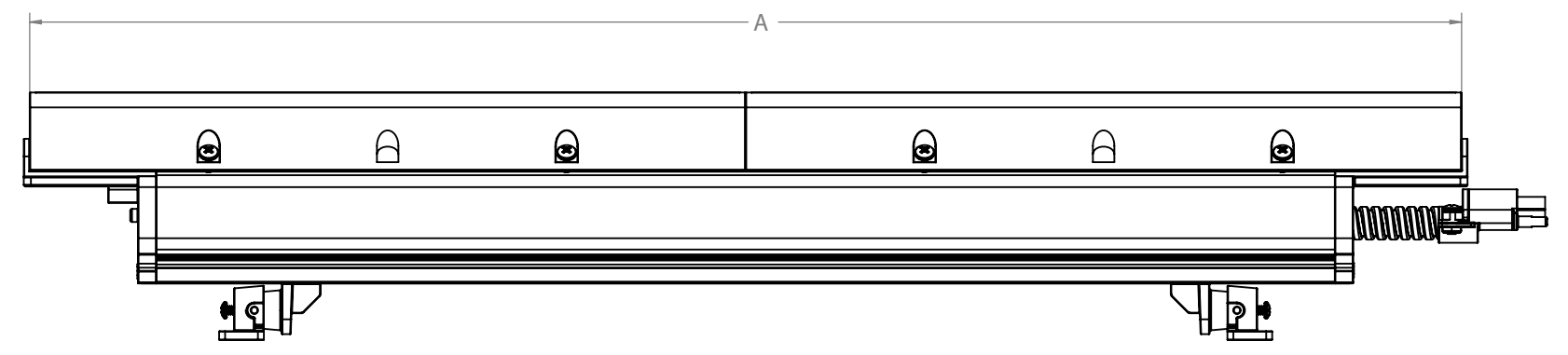


8 7 6 5 4 3 2 1

D  
C  
B  
A



SCALE 1 : 3



SCALE 1 : 3

The information contained in this document is the sole property of Tempo Industries. Reproduction in part or as a whole without the written permission of Tempo Industries Inc., is prohibited.

UNLESS OTHERWISE SPECIFIED:		NAME	DATE	<b>tempo</b> TITLE: C7R05-2Ft	
DIMENSIONS ARE IN INCHES		DRAWN	JB		1/19/15
TOLERANCES:		CHECKED			
ANGULAR: ±1/2DEG		ENG APPR.			
DECIMAL: .X ±0.030 .XX ±0.015 .XXX ±0.005		MFG APPR.			
HOLES: UNDER 0.500 ±0.005 OVER 0.501 ±0.010		Q.A.			
INTERPRET GEOMETRIC TOLERANCING PER:		COMMENTS:			
MATERIAL	As Noted			SIZE	
FINISH	As Noted			PART. NO.	
DO NOT SCALE DRAWING				REV	
				-	
				SCALE: 1:2	
				WEIGHT:	
				SHEET 1 OF 1	

8 7 6 5 4 3 2 1