

C3R RGB

DMX COLOR CHANGING RIGID LED LINEAR ACCENT LIGHTING
REMOTE POWER SYSTEM



APPLICATION

RGB three channel DMX color changing technology produces uniform illumination designed to accent and highlight spaces such as small coves, under cabinets or millwork. Tempo supplied DMX driver with optional Nicolaudio DMX intelligent control keypad provides easy color changing scenes. Designed with modular CLIP[®] (Configurable Lighting Platform), C3R provides options to suit multiple application requirements.

CONSTRUCTION

- Designed with non-ferrous components and mounting brackets. Meets MRI room requirements when used with brass mounting screws (part number C3A-MNTSCREW-BRS).
- 12" long low profile modules in 1', 2', 3', 4', 5' or 6' fixture lengths
- Join sections and create continuous runs up to 16' from one power supply
- Easily replaceable LED printed circuit boards
- Proprietary quick wire connection device provides ease of installation
- Power feeds and jumper cables are available
- CSA damp location listed for indoor use

OPTICS / LENS / DIFFUSER

- Low profile, lightly frosted lens.

PERFORMANCE

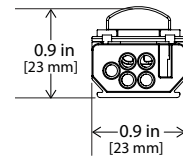
- 292 total lm/ft
- Dense Pack (DP) LED spacing places more LED's closer together in each 12" module for high uniformity illumination.
- Operating temperature range of -20°C to 50°C
- Power Supply Total Harmonic Distortion <20%, Power Factor >0.9

DMX COLOR CHANGING RGB

- Three Channel RGB
- Nicolaudio DMX lighting controller utilizing DMX512 (x2) output protocol. Easily view the zone, scene name and design. Change colors and dimming using touch sensitive circular palette.
- Universal input 120V-277V remote Class II 24V output power supply. 100w output. 3 channel DMX/RDM compatible. (PWR-UNV-EM-100-N)
- Sleek black glass design sits 11mm from the wall
- Multi-room control with 500 scenes, 10 zones
- 1024 DMX channels
- USB & Ethernet connectivity for programming and controlling lighting remotely
- Clock & Calendar with Sunrise/Sunset triggering
- Mounts in single or double gang wall box

PERFORMANCE SUMMARY

Total Watts/Foot	6.0
Watts/ft. (RED)	2.0W
Lumens/ft. (RED)	80
Lumens/Watt (RED)	40
Watts/ft. (GREEN)	2.0W
Lumens/ft. (GREEN)	168
Lumens/Watt (GREEN)	84
Watts/ft. (BLUE)	2.0W
Lumens/ft. (BLUE)	44
Lumens/Watt (BLUE)	22
TOTAL LUMENS/FT.	292
Maximum Run Length*	16 feet



WARRANTY

Tempo provides a 5-year limited warranty.

86,000 HOURS

L85 LUMEN MAINTENANCE
LED Luminaires will reach 85% of initial lumen output at or beyond 86,000 hours at 25°C.



C3R RGB

DMX COLOR CHANGING RIGID LED LINEAR ACCENT LIGHTING
REMOTE POWER SYSTEM

ORDERING INFORMATION

Example: C3R-LL-00-6-RGB-LG

C3R, lightly frosted lens, 6W/Ft, RGB, Light Gray

C3	R	LL		6	RGB	LG	
Series	Platform	Optic/Lens/Diffuser	Module Spacing	Watts/Foot	Color Temp	Finish	Fixture Length ¹
C3	R Rigid	LL Lightly frosted lens	00 0"	6 6 W/ft	RGB Red/Green/Blue	LG Light Gray	

NOTES:

(1) Fixture length measured in feet. 1', 2', 3', 4', 5' or 6' fixture lengths.

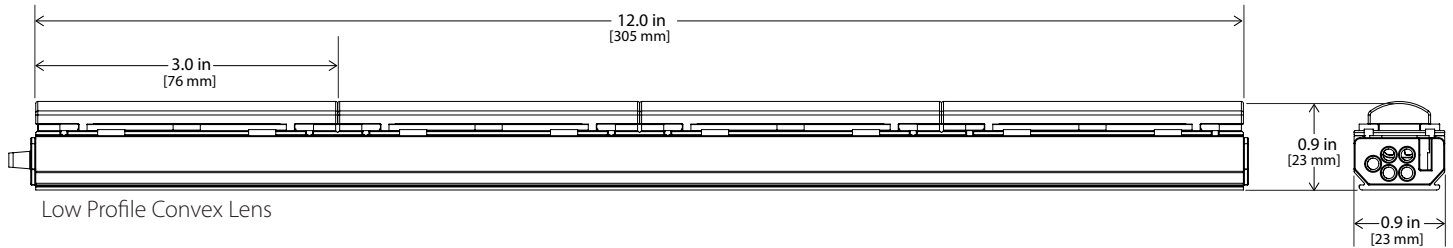
SYSTEM INTEGRATION ACCESSORIES

24V DMX POWER SUPPLIES/CONTROLLER	
PWR-UNV-EM-100-N	120-277V AC Input, 24V DC Output, 100W, DMX/RDM
PCC-DMX-N1	Nicolaudie (Stick DE3+) DMX Controller, DMX512 (x2), wall mount in single or double gang box
SURGE SUPPRESSION DEVICE <small>A Tempo furnished surge suppression device must be installed on each supplying branch circuit to comply with Tempo's 5-year warranty terms</small>	
SSD-120	120V Branch Circuit
SSD-277	277V Branch Circuit
POWER FEED CABLES <small>Additional lengths available, contact factory</small>	
PFC4-F-24-36	5-Pin Female Connector, 24V, 36 inches
JUMPER FEED CABLES <small>Additional lengths available, contact factory</small>	
JFC4-MF-24-18	5-Pin Female/Male, 24V, 18 inches
MOUNTING HARDWARE <small>18" maximum recommended spacing between mounting clips</small>	
C3A-MTGBRKT-SURF	Set of 25 Mounting clips (screws included)
C3A-MTGBRKT-SURF-20	Set of 25, 20° Mounting clips (screws included)
C3A-MNTSCREW-BRS	Non Ferrous Brass mounting screw only for C3R mounting clip. (Meets MRI room requirements)

C3R RGB

DMX COLOR CHANGING RIGID LED LINEAR ACCENT LIGHTING
REMOTE POWER SYSTEM

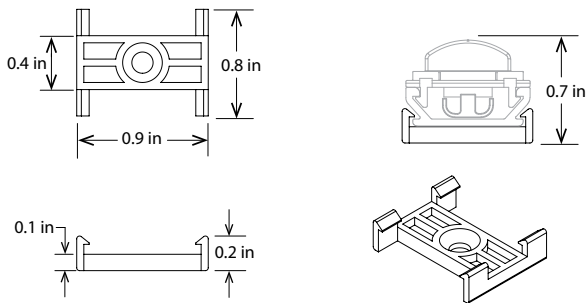
DIMENSIONAL INFORMATION Total Fixture Lengths of 1', 2', 3', 4', 5' or 6' available



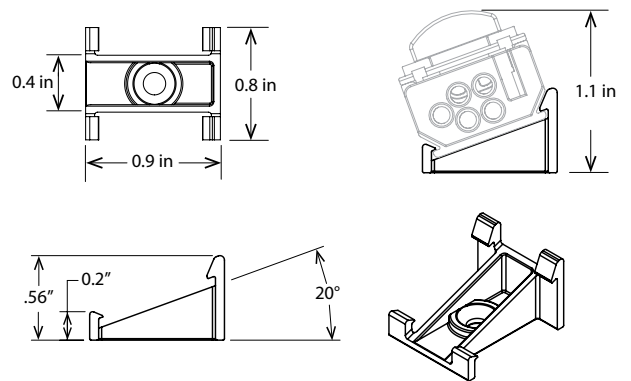
MOUNTING CLIP (Mounting screw provided)

NOTE: 18" maximum recommended spacing between mounting clips.

C3A-MTGBRKT-SURF



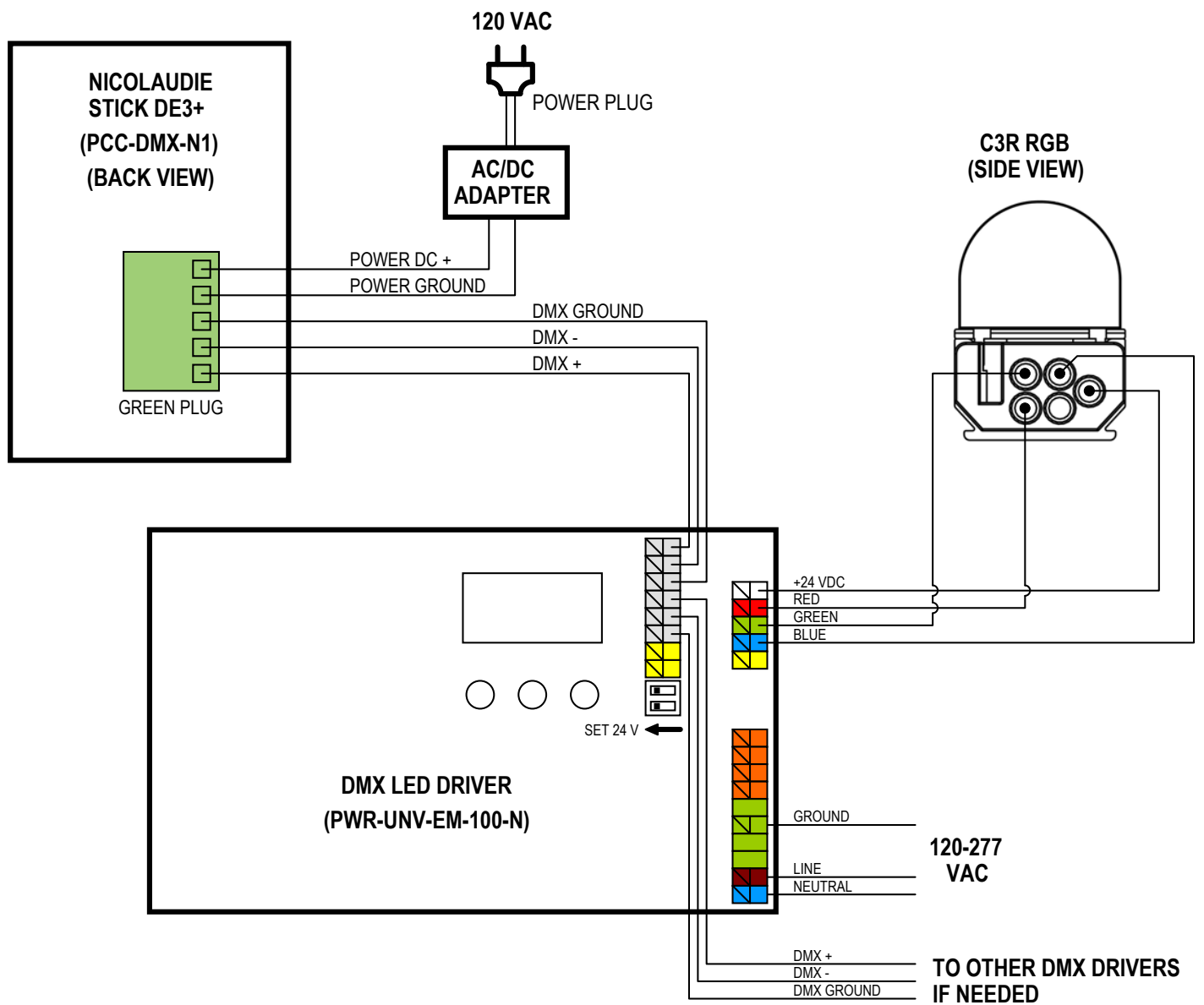
C3A-MTGBRKT-SURF-20



C3R RGB

DMX COLOR CHANGING RIGID LED LINEAR ACCENT LIGHTING
REMOTE POWER SYSTEM

WIRING DIAGRAMS



Tempo Industries reserves the right to change materials or modify the design of its product without notification as part of the company's continuing product improvement program. Please consult www.tempoindustries.com for the most up-to-date specifications and technical data.