

## C6RX Exterior

RIGID LED LINEAR LIGHTING, HIGH LUMEN  
INTEGRAL POWER SYSTEM



### APPLICATION

C6RX Exterior is designed to graze or wash building façades, highlight exterior signage or illuminate coves and soffits. C6RX features an integral power supply and delivers a nominal 460-910 lumens/ft at 5-10W/ft.

IP66 rated, C6RX weathers harsh outdoor conditions with a low copper aluminum housing, glass lens, stainless steel fasteners and silicone gaskets throughout.

Designed with modular CLiP<sup>®</sup> (Configurable Lighting Platform), C6RX provides options to suit multiple application requirements.

### CONSTRUCTION

- 12in die cast low copper aluminum modules with a tempered glass lens are pre-assembled on an extruded aluminum track.
- Standard module finish is anodized, painted available.
- Silicone gaskets and stainless steel fasteners
- Track, or section lengths, are available up to 6ft in 1ft increments and may be joined in the field for continuous runs. Threaded and sealed connectors join sections.
- Surface mounting clips, 90° adjustable mounting clips or 6" and 12" arms secure sections
- Fully compliant with NEC Article 400
- CSA wet location listed, IP66
- All finishes Cyclic Salt Fog/UV Exposure tested in compliance with ASTM D5894 by 3rd party testing facility
- Meets 1.5G and 3G ANSI C136.31 Vibration Standard for bridge applications.  
6" mounting arm (PAX-6) meets 3G standard.  
12" mounting arm (PAX-12) meets 1.5G standard.

### POWER SYSTEM

- Universal (120V-277V) Integral Power Supply with Electronic Low Voltage (ELV) dimming to 5%
- Power Supply Total Harmonic Distortion <20%, Power Factor >0.9

### OPTICS / LENS / DIFFUSER

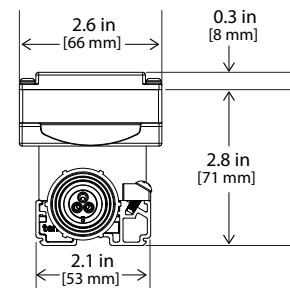
- Frosted glass lens, no optic
- Clear glass lens with 10° x 10° and 10° x 60° optics
- Frosted glass lens with 60° x 115°, 30° x 50°, 50° x 30°, and Asymmetric Wall Wash optics
- Factory installed louver available with optic option BVL (includes shaping and diffusing film)

### PERFORMANCE

- Nominal light output of 460-910 lm/ft (5-10W/ft)
- Rated for a minimum of 86,000 hours (L85) at 25°C ambient operating temperature
- -40°C starting temperature

### LIGHT CHARACTERISTICS

- White Color Correlated Temperatures: 2700K, 3000K, 3500K, 4000K
- 80+ Color Rendering Index; 90+ High CRI option available for 2700K, 3000K 3500K only
- Tempo's UniBin<sup>™</sup> process ensures consistent hue and color to within a maximum 2-step MacAdam ellipse per section



### WARRANTY

Tempo provides a 5-year limited warranty.



### PERFORMANCE SUMMARY All data nominal.

Watts/ft	5	9	10 (10° x 60° optic)
Lumens/ft	460	800	910
Lumens/Watt	92	91	91
Maximum Run Length*	190ft	110ft	95ft

\*Based on 120V input.

## C6RX Exterior

RIGID LED LINEAR LIGHTING, HIGH LUMEN  
INTEGRAL POWER SYSTEM

### ORDERING INFORMATION - 5 WATT & 9 WATT MODELS

Example: C6RX-ASY-00-UNVE9-27NA

C6RX, Asymmetric optic, UNV, ELV dimming, 9 W/Ft, 2700K, Natural Anodized

C6	RX		00	UNV	E				
Series	Platform	Optic/Lens/Diffuser	Module Spacing	Voltage	Dimming	Watts/Foot	Color Temp	Finish	Fixture Length <sup>1</sup>
C6	RX Rigid Exterior	<b>FL</b> Frosted Glass Lens <b>ASY</b> Asymmetric Wall Wash optic, Frosted Glass <b>60115</b> 60° x 115° optic, Frosted Glass <b>BVL</b> Shaping & Diffusing Film with 1" Deep Louver	00 0"	UNV 120-277V	E ELV (Electronic Low Voltage) dim to 5%	<b>5</b> 5 W/ft <b>9</b> 9 W/ft	<b>27</b> 2700K <b>30</b> 3000K <b>35</b> 3500K <b>40</b> 4000K  <b>27H</b> 2700K High CRI (90+) <b>30H</b> 3000K High CRI (90+) <b>35H</b> 3500K High CRI (90+)	<b>NA</b> Natural Anodized <b>BKM</b> Black Marine Grade <b>LGM</b> Light Gray Marine Grade <b>WHM</b> White Marine Grade <b>CC</b> Paint to match color chip	

NOTES:

Module Spacing options available, contact Tempo for detailed information.

(1) Fixture length measured in feet. Up to 6 feet in length in 1 foot increments

### ORDERING INFORMATION - 10 WATT MODEL

Example: C6RX-1010-00-UNVE10-30HBKM

C6RX, 10° x 10° optic, UNV, ELV dimming, 10 W/Ft, 3000K High CRI, Black Marine Grade

C6	RX		00	UNV	E	10			
Series	Platform	Optic/Lens/Diffuser	Module Spacing	Voltage	Dimming	Watts/Foot	Color Temp	Finish	Fixture Length <sup>1</sup>
C6	RX Rigid Exterior	<b>1010</b> 10° x 10° optic, Clear Glass <b>1060</b> 10° x 60° optic, Clear Glass <b>3050</b> 30° x 50° optic, Frosted Glass <b>5030</b> 50° x 30° optic, Frosted Glass	00 0"	UNV 120-277V	E ELV (Electronic Low Voltage) dim to 5%	10 10 W/ft	<b>27</b> 2700K <b>30</b> 3000K <b>35</b> 3500K <b>40</b> 4000K  <b>27H</b> 2700K High CRI (90+) <b>30H</b> 3000K High CRI (90+) <b>35H</b> 3500K High CRI (90+)	<b>NA</b> Natural Anodized <b>BKM</b> Black Marine Grade <b>LGM</b> Light Gray Marine Grade <b>WHM</b> White Marine Grade <b>CC</b> Paint to match color chip	

NOTES:

Module Spacing options available, contact Tempo for detailed information.

(1) Fixture length measured in feet. Up to 6 feet in length in 1 foot increments

## SYSTEM INTEGRATION ACCESSORIES

### SURGE SUPPRESSION DEVICE A Tempo furnished surge suppression device must be installed on each supplying branch circuit to comply with Tempo's 5-year warranty terms

<b>SSD-120</b>	120V Branch Circuit
<b>SSD-277</b>	277V Branch Circuit

### POWER FEED CABLES Additional lengths available, contact factory

<b>PFC-EXT-F-36</b>	Female connector, 36 inches
---------------------	-----------------------------

### JUMPER FEED CABLES Additional lengths available, contact factory

<b>JFC-EXT-FM-12</b>	Female/Male connector, 12 inches
----------------------	----------------------------------

### MOUNTING HARDWARE

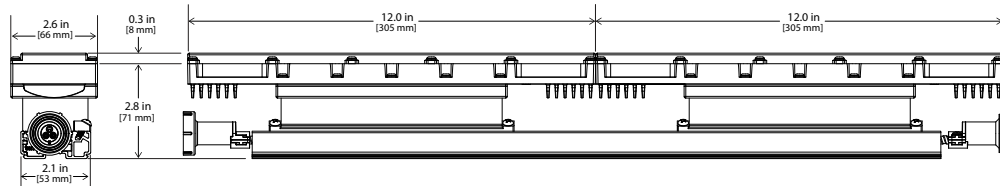
<b>C6A-MC</b>	Surface Mount Clips, stainless steel, no finish (set of 12)
<b>PAX</b>	+/- 90° adjustable mounting bracket, minimum of 2 required per section
<b>PAX-6</b>	6" long extension arm with adjustable bracket, minimum of 2 required per section. Meets 3G ANSI C136.31
<b>PAX-12</b>	12" long extension arm with adjustable bracket, minimum of 2 required per section. Meets 1.5G ANSI C136.31

## C6RX Exterior

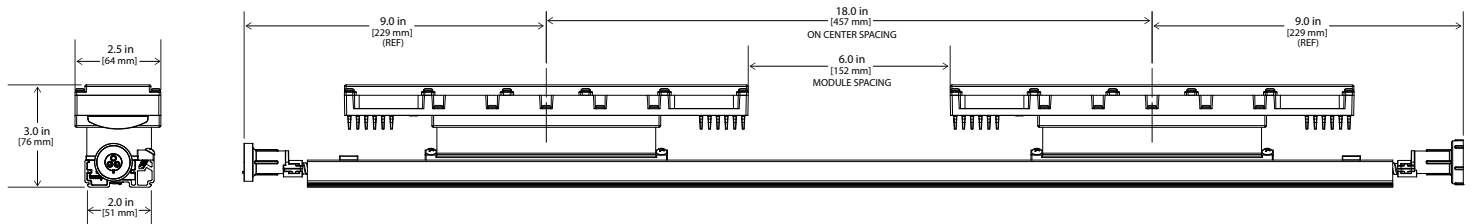
RIGID LED LINEAR LIGHTING, HIGH LUMEN  
INTEGRAL POWER SYSTEM

### DIMENSIONAL INFORMATION

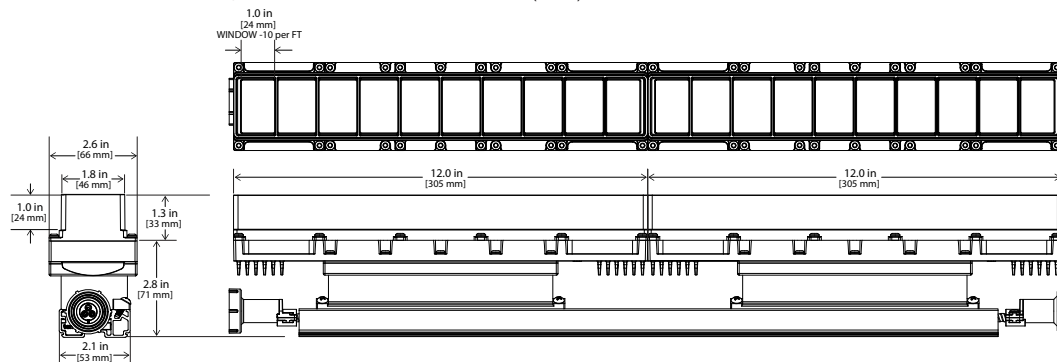
#### C6RX 2FT SECTION



#### MODULE SPACING EXAMPLE - 3 FOOT SECTION WITH 6" MODULE SPACING



#### C6RX 2FT SECTION W/1" LOUVERED LENS FRAME (BVL)

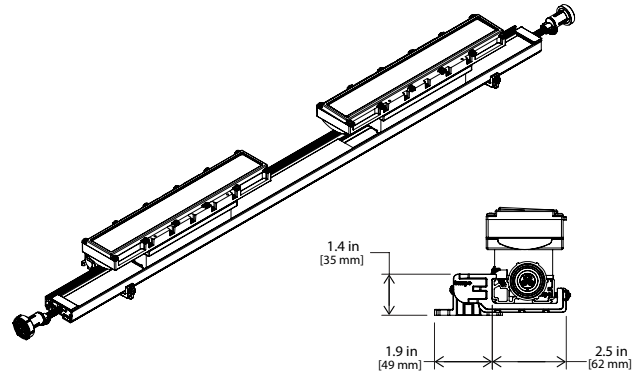
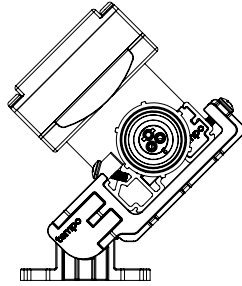
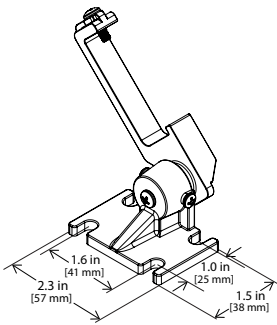


## C6RX Exterior

RIGID LED LINEAR LIGHTING, HIGH LUMEN  
INTEGRAL POWER SYSTEM

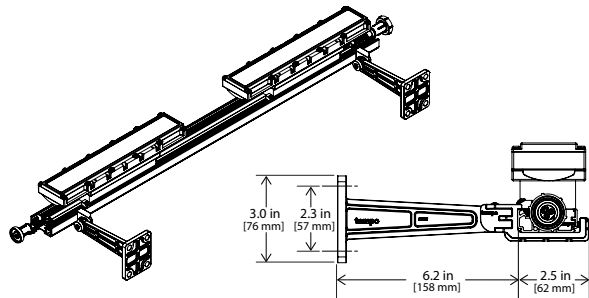
### MOUNTING HARDWARE

+/- 90° ADJUSTABLE MOUNTING BRACKET (PAX)



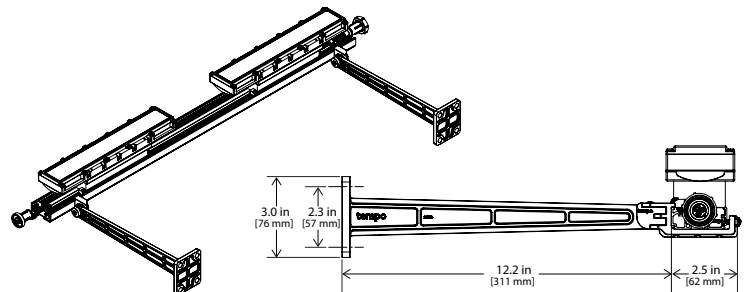
### 6" MOUNTING ARM (PAX-6)

Meets 3G ANSI C136.31 Vibration Standard for bridge applications

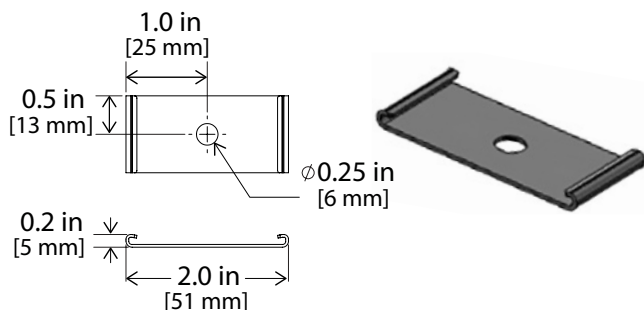


### 12" MOUNTING ARM (PAX-12)

Meets 1.5G ANSI C136.31 Vibration Standard for bridge applications



### SURFACE MOUNT CLIP (C6A-MC)



Tempo Industries reserves the right to change materials or modify the design of its product without notification as part of the company's continuing product improvement program. Please consult [www.tempolc.com](http://www.tempolc.com) for the most up-to-date specifications and technical data.