

## C6RX Exterior

RIGID LED LINEAR LIGHTING, HIGH LUMEN  
INTEGRAL POWER SYSTEM



### APPLICATION

C6RX Exterior is designed to graze or wash building façades, highlight exterior signage or illuminate coves and soffits. C6RX features an integral power supply and delivers a nominal 460-910 lumens/ft at 5-10W/ft.

IP66 rated, C6RX weathers harsh outdoor conditions with a low copper aluminum housing, glass lens, stainless steel fasteners and silicone gaskets throughout.

Designed with modular CLiP<sup>®</sup> (Configurable Lighting Platform), C6RX provides options to suit multiple application requirements.

### CONSTRUCTION

- 12in die cast low copper aluminum modules with a tempered glass lens are pre-assembled on an extruded aluminum track.
- Standard module finish is anodized, painted available.
- Silicone gaskets and stainless steel fasteners
- Track, or section lengths, are available up to 6ft in 1ft increments and may be joined in the field for continuous runs. Threaded and sealed connectors join sections.
- Surface mounting clips, 90° adjustable mounting clips or 6" and 12" arms secure sections
- Fully compliant with NEC Article 400
- CSA wet location listed, IP66
- All finishes Cyclic Salt Fog/UV Exposure tested in compliance with ASTM D5894 by 3rd party testing facility
- Meets 1.5G and 3G ANSI C136.31 Vibration Standard for bridge applications.  
6" mounting arm (PAX-6) meets 3G standard.  
12" mounting arm (PAX-12) meets 1.5G standard.

### POWER SYSTEM

- Universal (120V-277V) Integral Power Supply with Electronic Low Voltage (ELV) dimming to 5%
- Power Supply Total Harmonic Distortion <20%, Power Factor >0.9

### OPTICS / LENS / DIFFUSER

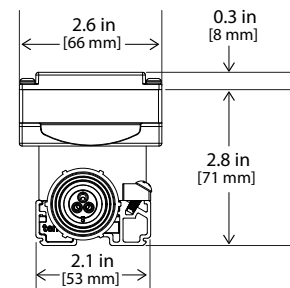
- Frosted glass lens, no optic
- Clear glass lens with 10° x 10° and 10° x 60° optics
- Frosted glass lens with 60° x 115°, 30° x 50°, 50° x 30°, and Asymmetric Wall Wash optics
- Factory installed louver available with optic option BVL (includes shaping and diffusing film)

### PERFORMANCE

- Nominal light output of 460-910 lm/ft (5-10W/ft)
- Rated for a minimum of 86,000 hours (L85) at 25°C ambient operating temperature
- -40°C starting temperature

### LIGHT CHARACTERISTICS

- White Color Correlated Temperatures: 2700K, 3000K, 3500K, 4000K
- 80+ Color Rendering Index; 90+ High CRI option available for 2700K, 3000K 3500K only
- Tempo's UniBin™ process ensures consistent hue and color to within a maximum 2-step MacAdam ellipse per section



### WARRANTY

Tempo provides a 5-year limited warranty.



### PERFORMANCE SUMMARY All data nominal.

Watts/ft	5	9	10 (10° x 60° optic)
Lumens/ft	460	800	910
Lumens/Watt	92	91	91
Maximum Run Length*	190ft	110ft	95ft

\*Based on 120V input.

## C6RX Exterior

RIGID LED LINEAR LIGHTING, HIGH LUMEN  
INTEGRAL POWER SYSTEM

### ORDERING INFORMATION - 5 WATT & 9 WATT MODELS

Example: 25ft C6RX00-12-7612-UNVE5-D27S-NA

25 feet of C6R Exterior, 12" increments, Asymmetric optic, 12" on center, UNV, ELV dimming, 5W/Ft, Dense Pack LED Spacing, 2700K, Std UniBin, Natural Anodized

Length in Feet <sup>1</sup>	C6	RX	0	0	12		12	UNV	E		D							
	PLATFORM					PERFORMANCE						LIGHT CHARACTERISTICS						
	Series	Platform	Profile	Type	Increment Length	Optic/Lens/Diffuser	Module Spacing	Voltage	Dimming	Watts/Foot	LED Spacing	Color Temp	Attribute	Finish				
	C6	RX Rigid Exterior	0 Rect.	0 Symmetric	12 12" Base Increment	FL	Frosted Glass Lens	12 12" On Center	UNV 120-277V	E ELV Electronic Low Voltage (5%)	5	5 W/ft	D Dense Pack	27	2700K	S Standard UniBin	NA Natural Anodized (Std)	
72						Asymmetric Wall Wash optic, Frosted Glass	9				9 W/ft	30		3000K				
76						60° x 115°, Frosted Glass						35		3500K				
BVL						Shaping & Diffusing Film with 1" Deep Louver						40		4000K				
												C	High CRI (90+)		LG	Light Gray		
																	SPL	Special Color - Consult Factory

NOTES:

(1) Total ordered length may be specified in 1.0ft increments (EXAMPLE 24ft). Unless otherwise specified, Tempo will determine the section lengths of shipped product to comprise the total length, up to a maximum section length of 6ft (EXAMPLE: 30ft of ordered product may ship as (5) 6ft sections or (6) 5ft sections, etc.)

### ORDERING INFORMATION - 10 WATT MODEL

Example: 25ft C6RX00-12-6412-UNVE10-S30S-NA

25 feet of C6R Exterior, 12" increments, 10° x 10° optic, 12" on center, UNV, ELV dimming, 10W/Ft, Standard LED Spacing, 3000K, Std UniBin, Natural Anodized

Length in Feet <sup>1</sup>	C6	RX	0	0	12		12	UNV	E	10	S							
	PLATFORM					PERFORMANCE						LIGHT CHARACTERISTICS						
	Series	Platform	Profile	Type	Increment Length	Optic/Lens/Diffuser	Module Spacing	Voltage	Dimming	Watts/Foot	LED Spacing	Color Temp	Attribute	Finish				
	C6	RX Rigid Exterior	0 Rect.	0 Symmetric	12 12" Base Increment	64	10° x 10° optic, Clear Glass	12 12" On Center	UNV 120-277V	E ELV Electronic Low Voltage (5%)	10 10W/ft	S Standard	27	2700K	S Standard UniBin	NA Natural Anodized (Std)		
37						10° x 60° optic, Clear Glass								30			3000K	
3050						30° x 50° optic, Frosted Glass								35			3500K	
5030						50° x 30° optic, Frosted Glass								40			4000K	
												C	High CRI (90+)		LG	Light Gray		
																	SPL	Special Color - Consult Factory

NOTES:

(1) Total ordered length may be specified in 1.0ft increments (EXAMPLE 24ft). Unless otherwise specified, Tempo will determine the section lengths of shipped product to comprise the total length, up to a maximum section length of 6ft (EXAMPLE: 30ft of ordered product may ship as (5) 6ft sections or (6) 5ft sections, etc.)

## SYSTEM INTEGRATION ACCESSORIES

SURGE SUPPRESSION DEVICE A Tempo furnished surge suppression device must be installed on each supplying branch circuit to comply with Tempo's 5-year warranty terms		
	<b>SSD-120</b>	120V Branch Circuit
	<b>SSD-277</b>	277V Branch Circuit

POWER FEED CABLES Additional lengths available, contact factory		
	<b>PFC-EXT-F-36</b>	Female connector, 36 inches

JUMPER FEED CABLES Additional lengths available, contact factory		
	<b>JFC-EXT-FM-12</b>	Female/Male connector, 12 inches

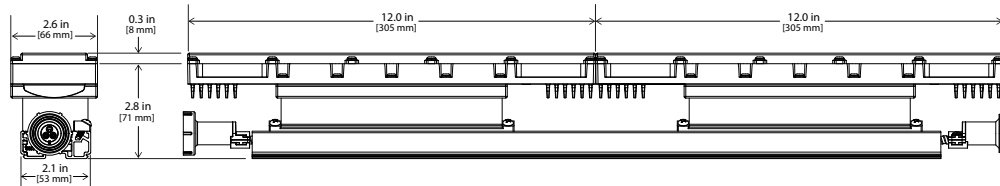
MOUNTING HARDWARE		
	<b>C6A-MC</b>	Surface Mount Clips, stainless steel, no finish (set of 12)
	<b>PAX</b>	+/- 90° adjustable mounting bracket, minimum of 2 required per section
	<b>PAX-6</b>	6" long extension arm with adjustable bracket, minimum of 2 required per section. Meets 3G ANSI C136.31
	<b>PAX-12</b>	12" long extension arm with adjustable bracket, minimum of 2 required per section. Meets 1.5G ANSI C136.31

## C6RX Exterior

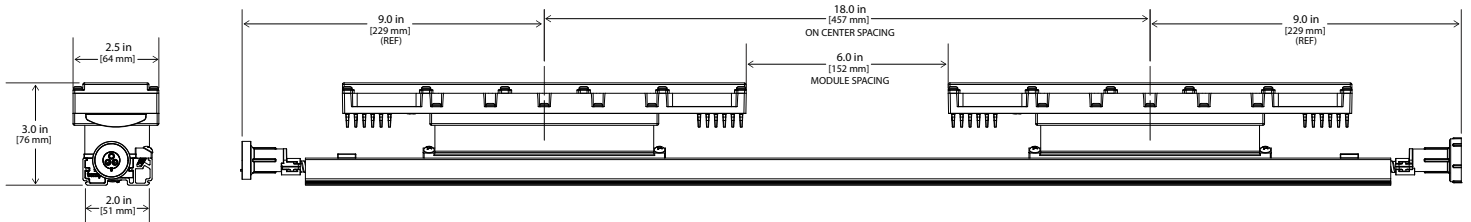
RIGID LED LINEAR LIGHTING, HIGH LUMEN  
INTEGRAL POWER SYSTEM

### DIMENSIONAL INFORMATION

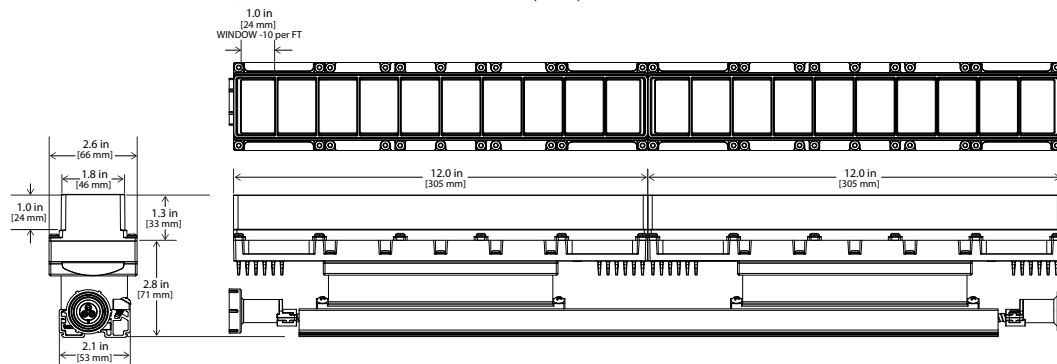
C6RX 2FT SECTION



C6RX 3FT SECTION W/2 MODULES AT 18" O.C. - 6" MODULE SPACING



C6RX 2FT SECTION W/1" LOUVERED LENS FRAME (BVL)

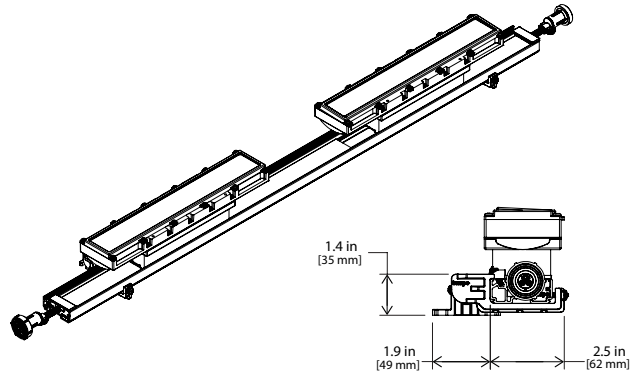
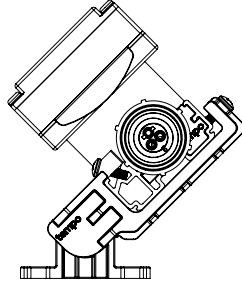
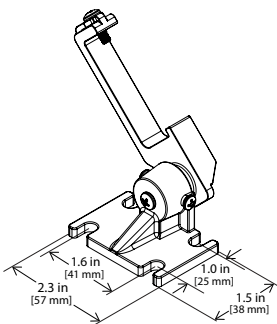


## C6RX Exterior

RIGID LED LINEAR LIGHTING, HIGH LUMEN  
INTEGRAL POWER SYSTEM

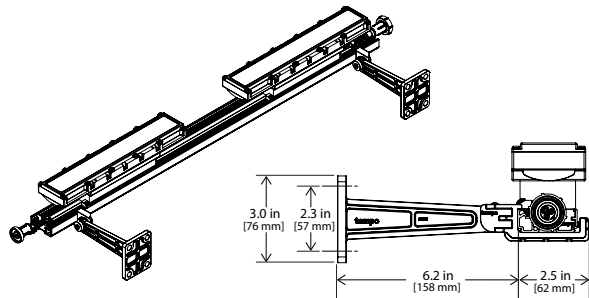
### MOUNTING HARDWARE

+/- 90° ADJUSTABLE MOUNTING BRACKET (PAX)



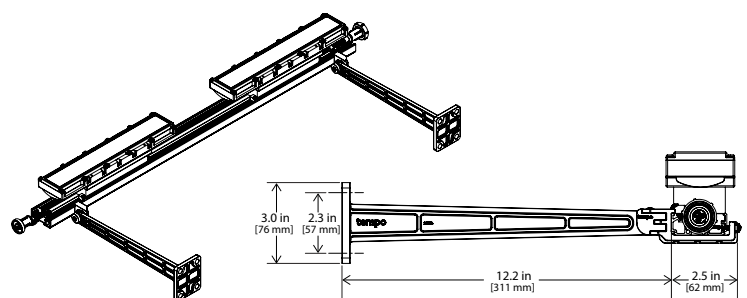
### 6" MOUNTING ARM (PAX-6)

Meets 3G ANSI C136.31 Vibration Standard for bridge applications

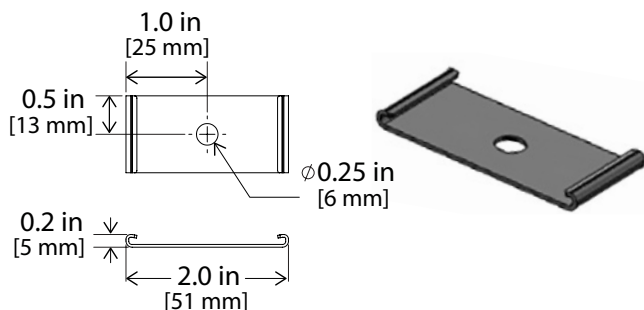


### 12" MOUNTING ARM (PAX-12)

Meets 1.5G ANSI C136.31 Vibration Standard for bridge applications



### SURFACE MOUNT CLIP (C6A-MC)



Tempo Industries reserves the right to change materials or modify the design of its product without notification as part of the company's continuing product improvement program. Please consult [www.tempolc.com](http://www.tempolc.com) for the most up-to-date specifications and technical data.