

## C6RX Exterior

RIGID LED LINEAR LIGHTING, HIGH LUMEN  
INTEGRAL POWER SYSTEM



### APPLICATION

C6RX Exterior is designed to graze or wash building façades, highlight exterior signage or illuminate coves and soffits. C6RX features an integral power supply and delivers a nominal 460-910 lumens/ft at 5-10W/ft.

IP66 rated, C6RX weathers harsh outdoor conditions with a low copper aluminum housing, glass lens, stainless steel fasteners and silicone gaskets throughout.

Designed with modular CLiP<sup>®</sup> (Configurable Lighting Platform), C6RX provides options to suit multiple application requirements.

### CONSTRUCTION

- 12in die cast low copper aluminum modules with a glass lens are pre-assembled on an extruded aluminum track.
- Standard module finish is anodized, painted available.
- Silicone gaskets and stainless steel fasteners are used throughout.
- Track, or section lengths, are available up to 6ft in 1ft increments and may be joined in the field for continuous runs. Threaded and sealed connectors join sections.
- Surface mounting clips, 90° adjustable mounting clips or 6" and 12" arms secure sections
- Fully compliant with NEC Article 400
- CSA wet location listed, IP66

### OPTICS / LENS / DIFFUSER

- Clear, glass lens
- Clear, glass lens with 10°x10°, 10°x60°, 60°x115°, 30° x 50°, 50° x 30°, or Asymmetric Wall Wash optic
- Factory installed louver available with optic option BVL (10°x60° shaping and diffusing film)

### POWER SYSTEM

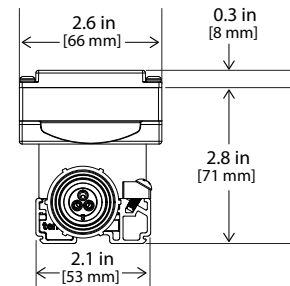
- Integral Power Supply with Electronic Low Voltage (ELV) dimming
- Power Supply Total Harmonic Distortion <20%, Power Factor >0.9

### PERFORMANCE

- Nominal light output of 460-910 lm/ft (5-10W/ft)
- Rated for a minimum of 86,000 hours (L85) at 25°C ambient operating temperature
- -40°C starting temperature

### LIGHT CHARACTERISTICS

- White Color Correlated Temperatures: 2700K, 3000K, 3500K, 4000K
- 80+ Color Rendering Index; 90+ High CRI option available for 2700K, 3000K 3500K only
- Tempo's UniBin™ process ensures consistent hue and color to within a maximum 2-step MacAdam ellipse per section



### WARRANTY

Tempo provides a 5-year limited warranty.



### PERFORMANCE SUMMARY All data nominal.

Watts/ft	5	9	10
Lumens/ft	460	800	910
Lumens/Watt	92	91	91
Maximum Run Length*	190ft	110ft	95ft

\*Based on 120V input.

## C6RX Exterior

RIGID LED LINEAR LIGHTING, HIGH LUMEN  
INTEGRAL POWER SYSTEM

### ORDERING INFORMATION

Example: 25ft C6RX00-12-3712-UNVE10-S27S-NA

25 feet of C6R Exterior, 12" increments, 10°x60° optic, clear lens, 12" on center, UNV, ELV dimming, 10 W/Ft, Standard LED Spacing, 2700K, Std UniBin, Natural Anodized

Length in Feet <sup>1</sup>	C6 RX 0 0 12					12 UNV E					LIGHT CHARACTERISTICS				
	PLATFORM					PERFORMANCE									
	Series	Platform	Profile	Type	Increment Length	Optic/Lens/Diffuser	Module Spacing	Voltage	Dimming	Watts/Foot	LED Spacing	Color Temp	Attribute	Finish	
	C6	RX Rigid Exterior	0 Rect.	0 Symmetric	12 12" Base Increment	<b>CL</b> Clear Glass Lens <b>64°</b> 10° x 10°, Clear Glass Lens <b>37°</b> 10° x 60°, Clear Glass Lens <b>72</b> Asymmetric Wall Wash optic, Clear Glass Lens <b>76</b> 60°x115°, Clear Glass Lens <b>BVL</b> 10° x 60°, Shaping & Diffusing Film with 1" Deep Louver <b>3050</b> 30° x 50° optic <b>5030</b> 50° x 30° optic	12 12" On Center	UNV 120-277V	E <sup>3</sup> ELV (Electronic Low Voltage)	<b>5</b> 5 W/ft <b>9</b> 9 W/ft <b>10°</b> 10 W/ft	<b>S<sup>2</sup></b> Standard <b>D</b> Dense Pack	<b>27</b> 2700K <b>30</b> 3000K <b>35</b> 3500K <b>40</b> 4000K	<b>S</b> Standard UniBin <b>C</b> High CRI (90+) 2700K, 3000K, 3500K only	<b>NA</b> Natural Anodized (Std) <b>LG</b> Light Gray <b>SPL</b> Special Color - Consult Factory	

#### NOTES:

- Total ordered length may be specified in 1.0ft increments (EXAMPLE 24ft). Unless otherwise specified, Tempo will determine the section lengths of shipped product to comprise the total length, up to a maximum section length of 6ft (EXAMPLE: 30ft of ordered product may ship as (5) 6ft sections or (6) 5ft sections, etc.)
- 10°x10° (64) and 10°x60° (37) optics are only available with 5W/ft or 10W/ft and standard LED spacing. 10W/ft and Standard (S) LED spacing is only available with 10°x10° (64) or 10°x60° (37) optics.
- Dimming with 120V input only

### SYSTEM INTEGRATION ACCESSORIES

SURGE SUPPRESSION DEVICE A Tempo furnished surge suppression device must be installed on each supplying branch circuit to comply with Tempo's 5-year warranty terms	
SSD-120	120V Branch Circuit
SSD-277	277V Branch Circuit

POWER FEED CABLES Additional lengths available, contact factory	
PFC-EXT-F-36	Female connector, 36 inches

JUMPER FEED CABLES Additional lengths available, contact factory	
JFC-EXT-FM-12	Female/Male connector, 12 inches

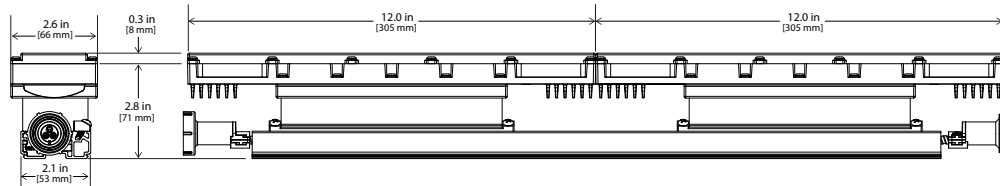
MOUNTING HARDWARE	
C6A-MC	Surface Mount Clips, stainless steel, no finish (set of 12)
PAX	+/- 90° adjustable mounting bracket, minimum of 2 required per section
PAX-6	6" long extension arm with adjustable bracket, minimum of 2 required per section
PAX-12	12" long extension arm with adjustable bracket, minimum of 2 required per section

## C6RX Exterior

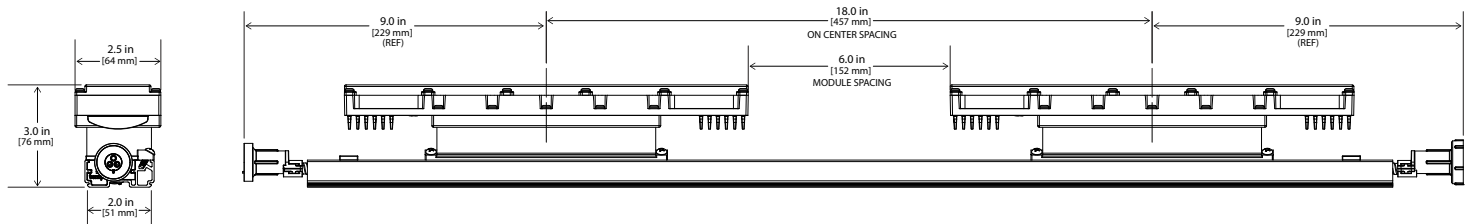
RIGID LED LINEAR LIGHTING, HIGH LUMEN  
INTEGRAL POWER SYSTEM

### DIMENSIONAL INFORMATION

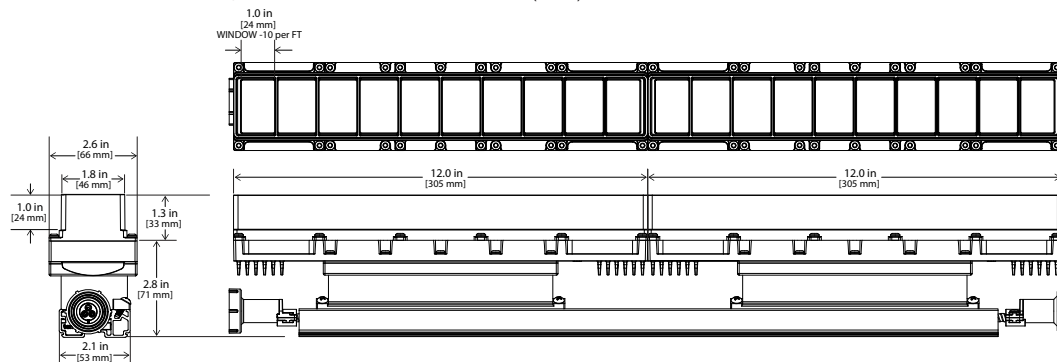
C6RX 2FT SECTION



C6RX 3FT SECTION W/2 MODULES AT 18" O.C. - 6" MODULE SPACING



C6RX 2FT SECTION W/1" LOUVERED LENS FRAME (BVL)

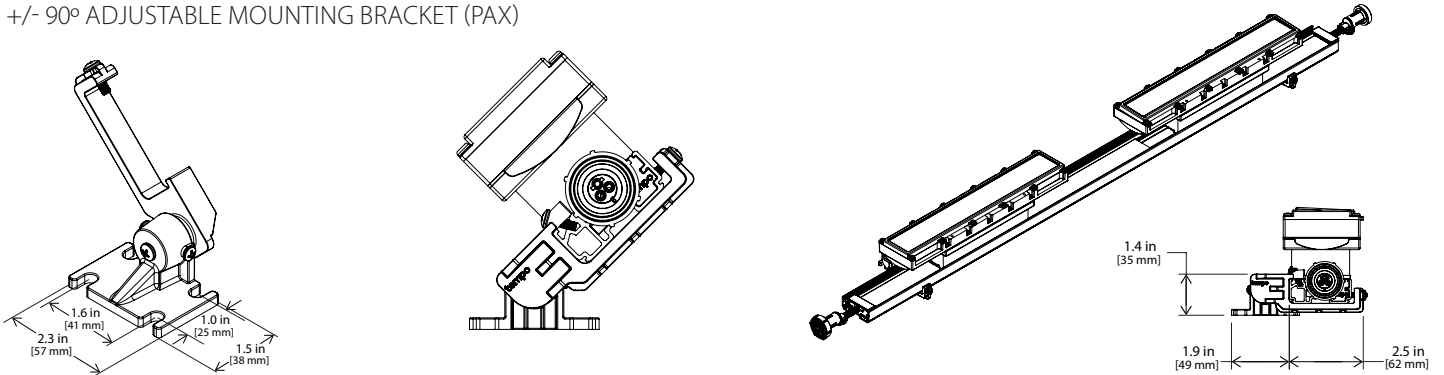


## C6RX Exterior

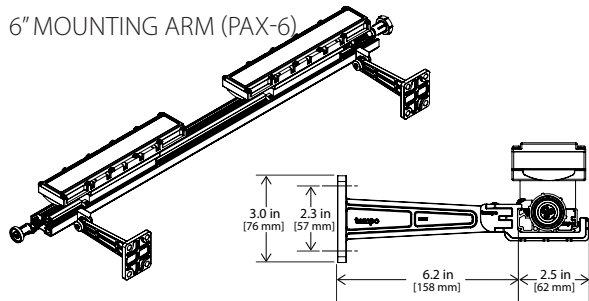
RIGID LED LINEAR LIGHTING, HIGH LUMEN  
INTEGRAL POWER SYSTEM

### MOUNTING HARDWARE

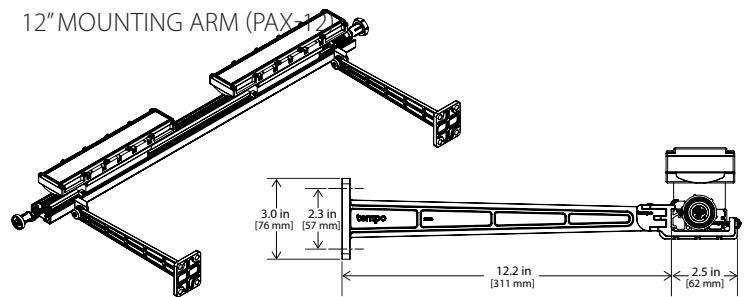
+/- 90° ADJUSTABLE MOUNTING BRACKET (PAX)



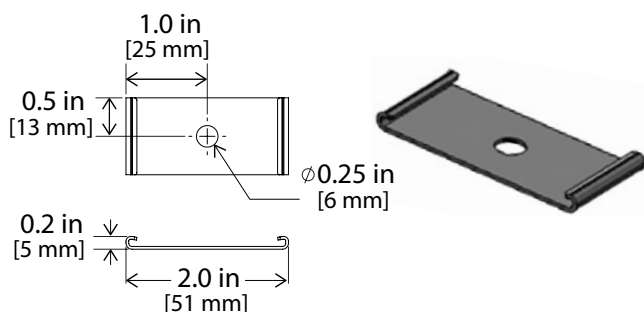
### 6" MOUNTING ARM (PAX-6)



### 12" MOUNTING ARM (PAX-12)



### SURFACE MOUNT CLIP (C6A-MC)



Tempo Industries reserves the right to change materials or modify the design of its product without notification as part of the company's continuing product improvement program. Please consult [www.tempolc.com](http://www.tempolc.com) for the most up-to-date specifications and technical data.