

C6RX Exterior

RIGID LED LINEAR LIGHTING, HIGH LUMEN
INTEGRAL POWER SYSTEM



APPLICATION

C6RX Exterior is designed to graze or wash building façades, highlight exterior signage or illuminate coves and soffits. C6RX features an integral power supply and delivers a nominal 460-910 lumens/ft at 5-10W/ft.

IP66 rated, C6RX weathers harsh outdoor conditions with a low copper aluminum housing, glass lens, stainless steel fasteners and silicone gaskets throughout.

Designed with modular CLiP[®] (Configurable Lighting Platform), C6RX provides options to suit multiple application requirements.

CONSTRUCTION

- 12in die cast low copper aluminum modules with a glass lens are pre-assembled on an extruded aluminum track.
- Standard module finish is anodized, painted available.
- Silicone gaskets and stainless steel fasteners are used throughout.
- Track, or section lengths, are available up to 6ft in 1ft increments and may be joined in the field for continuous runs. Threaded and sealed connectors join sections.
- Surface mounting clips, 90° adjustable mounting clips or 6" and 12" arms secure sections
- Fully compliant with NEC Article 400
- CSA wet location listed, IP66
- All finishes Cyclic Salt Fog/UV Exposure tested in compliance with ASTM D5894 by 3rd party testing facility
- Meets 1.5G and 3G ANSI C136.31 Vibration Standard for bridge applications.
6" mounting arm (PAX-6) meets 3G standard.
12" mounting arm (PAX-12) meets 1.5G standard.

OPTICS / LENS / DIFFUSER

- Clear, glass lens
- Clear, glass lens with 10°x10°, 10°x60°, 60°x115°, 30° x 50°, 50° x 30°, or Asymmetric Wall Wash optic
- Factory installed louver available with optic option BVL (10°x60° shaping and diffusing film)

POWER SYSTEM

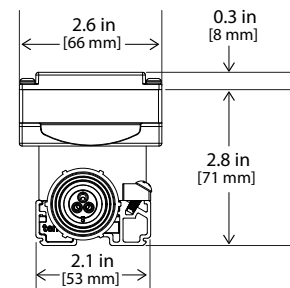
- Integral Power Supply with Electronic Low Voltage (ELV) dimming to 5% on 120v input only
- Power Supply Total Harmonic Distortion <20%, Power Factor >0.9

PERFORMANCE

- Nominal light output of 460-910 lm/ft (5-10W/ft)
- Rated for a minimum of 86,000 hours (L85) at 25°C ambient operating temperature
- -40°C starting temperature

LIGHT CHARACTERISTICS

- White Color Correlated Temperatures: 2700K, 3000K, 3500K, 4000K
- 80+ Color Rendering Index; 90+ High CRI option available for 2700K, 3000K 3500K only
- Tempo's UniBin™ process ensures consistent hue and color to within a maximum 2-step MacAdam ellipse per section



WARRANTY

Tempo provides a 5-year limited warranty.



PERFORMANCE SUMMARY All data nominal.

Watts/ft	5	9	10 (10° x 60° optic)
Lumens/ft	460	800	910
Lumens/Watt	92	91	91
Maximum Run Length*	190ft	110ft	95ft

*Based on 120V input.

C6RX Exterior

RIGID LED LINEAR LIGHTING, HIGH LUMEN
INTEGRAL POWER SYSTEM

ORDERING INFORMATION - 5 WATT & 9 WATT MODELS

Example: 25ft C6RX00-12-7612-UNVE5-D27S-NA

25 feet of C6R Exterior, 12" increments, Asymmetric optic, 12" on center, UNV, ELV dimming, 5W/Ft, Dense Pack LED Spacing, 2700K, Std UniBin, Natural Anodized

Length in Feet ¹	C6	RX	0	0	12		12	UNV	E		D				
	PLATFORM					PERFORMANCE					LIGHT CHARACTERISTICS				
	Series	Platform	Profile	Type	Increment Length	Optic/Lens/Diffuser	Module Spacing	Voltage	Dimming	Watts/Foot	LED Spacing	Color Temp	Attribute	Finish	
	C6	RX Rigid Exterior	0 Rect.	0 Symmetric	12 12" Base Increment	CL	12 12" On Center	UNV 120-277V	E ² ELV Electronic Low Voltage (5%)	5	D Dense Pack	27 2700K 30 3000K 35 3500K 40 4000K	S Standard UniBin	NA Natural Anodized (Std)	
72						9									
76															
BVL															

NOTES:

- (1) Total ordered length may be specified in 1.0ft increments (EXAMPLE 24ft). Unless otherwise specified, Tempo will determine the section lengths of shipped product to comprise the total length, up to a maximum section length of 6ft (EXAMPLE: 30ft of ordered product may ship as (5) 6ft sections or (6) 5ft sections, etc.)
- (2) Dimming with 120V input only

ORDERING INFORMATION - 10 WATT MODEL

Example: 25ft C6RX00-12-6412-UNVE10-S30S-NA

25 feet of C6R Exterior, 12" increments, 10° x 10° optic, 12" on center, UNV, ELV dimming, 10W/Ft, Standard LED Spacing, 3000K, Std UniBin, Natural Anodized

Length in Feet ¹	C6	RX	0	0	12		12	UNV	E	10	S				
	PLATFORM					PERFORMANCE					LIGHT CHARACTERISTICS				
	Series	Platform	Profile	Type	Increment Length	Optic/Lens/Diffuser	Module Spacing	Voltage	Dimming	Watts/Foot	LED Spacing	Color Temp	Attribute	Finish	
	C6	RX Rigid Exterior	0 Rect.	0 Symmetric	12 12" Base Increment	64	12 12" On Center	UNV 120-277V	E ² ELV Electronic Low Voltage (5%)	10 10W/Ft	S Standard	27 2700K 30 3000K 35 3500K 40 4000K	S Standard UniBin	NA Natural Anodized (Std)	
37															
3050															
5030															

NOTES:

- (1) Total ordered length may be specified in 1.0ft increments (EXAMPLE 24ft). Unless otherwise specified, Tempo will determine the section lengths of shipped product to comprise the total length, up to a maximum section length of 6ft (EXAMPLE: 30ft of ordered product may ship as (5) 6ft sections or (6) 5ft sections, etc.)
- (2) Dimming with 120V input only

SYSTEM INTEGRATION ACCESSORIES

SURGE SUPPRESSION DEVICE A Tempo furnished surge suppression device must be installed on each supplying branch circuit to comply with Tempo's 5-year warranty terms		
	SSD-120	120V Branch Circuit
	SSD-277	277V Branch Circuit

POWER FEED CABLES Additional lengths available, contact factory		
	PFC-EXT-F-36	Female connector, 36 inches

JUMPER FEED CABLES Additional lengths available, contact factory		
	JFC-EXT-FM-12	Female/Male connector, 12 inches

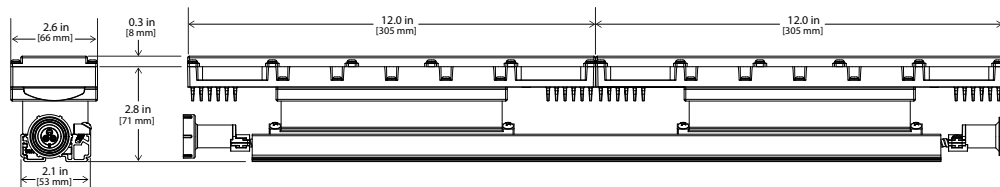
MOUNTING HARDWARE		
	C6A-MC	Surface Mount Clips, stainless steel, no finish (set of 12)
	PAX	+/- 90° adjustable mounting bracket, minimum of 2 required per section
	PAX-6	6" long extension arm with adjustable bracket, minimum of 2 required per section. Meets 3G ANSI C136.31
	PAX-12	12" long extension arm with adjustable bracket, minimum of 2 required per section. Meets 1.5G ANSI C136.31

C6RX Exterior

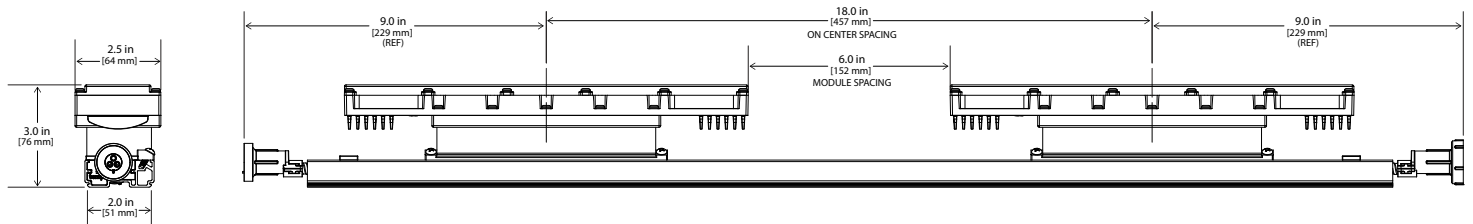
RIGID LED LINEAR LIGHTING, HIGH LUMEN
INTEGRAL POWER SYSTEM

DIMENSIONAL INFORMATION

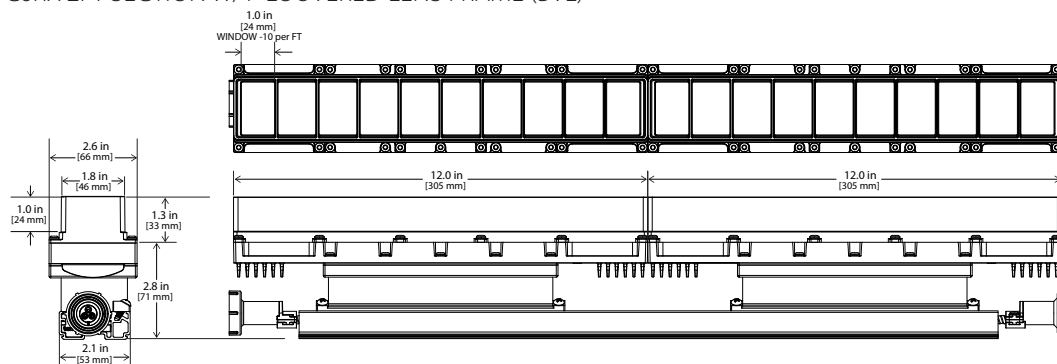
C6RX 2FT SECTION



C6RX 3FT SECTION W/2 MODULES AT 18" O.C. - 6" MODULE SPACING



C6RX 2FT SECTION W/1" LOUVERED LENS FRAME (BVL)

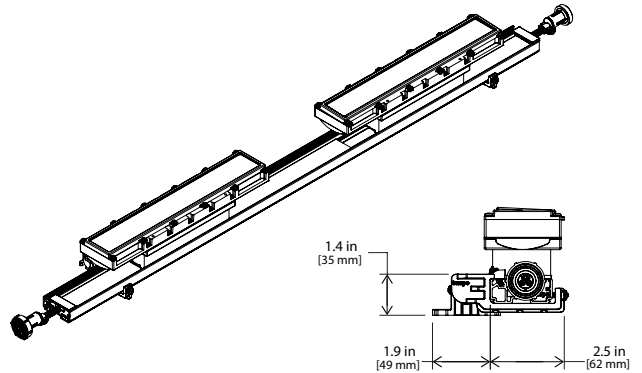
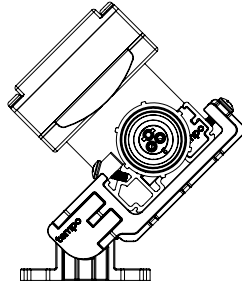
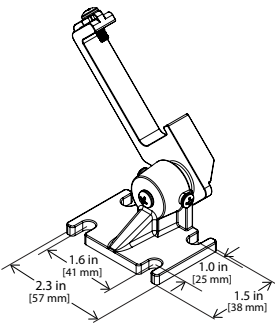


C6RX Exterior

RIGID LED LINEAR LIGHTING, HIGH LUMEN
INTEGRAL POWER SYSTEM

MOUNTING HARDWARE

+/- 90° ADJUSTABLE MOUNTING BRACKET (PAX)

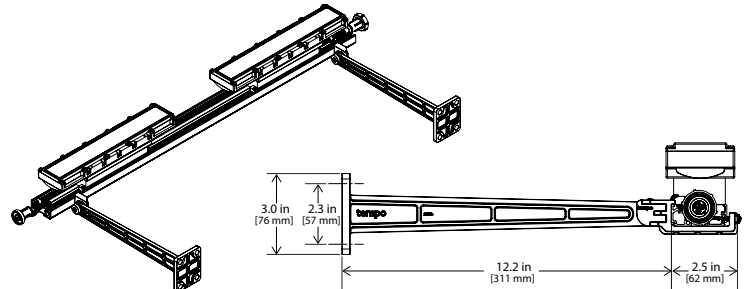
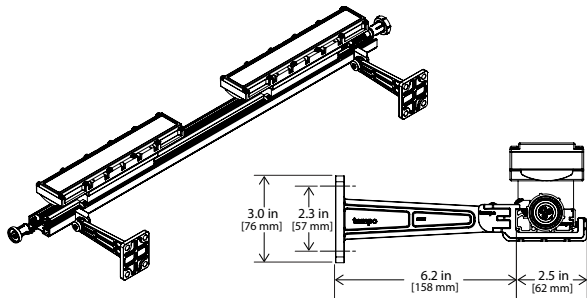


6" MOUNTING ARM (PAX-6)

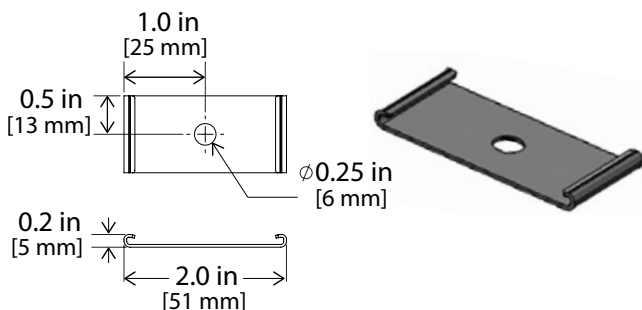
Meets 3G ANSI C136.31 Vibration Standard for bridge applications

12" MOUNTING ARM (PAX-12)

Meets 1.5G ANSI C136.31 Vibration Standard for bridge applications



SURFACE MOUNT CLIP (C6A-MC)



Tempo Industries reserves the right to change materials or modify the design of its product without notification as part of the company's continuing product improvement program. Please consult www.tempolc.com for the most up-to-date specifications and technical data.