

Guardian Series 2100

CARPET TO CARPET/WALL AISLE LIGHTING



APPLICATION

Tempo's Guardian 2100 Series LED Carpet Aisle Lighting is made for delimitation of carpeted pathways. The profile of the Carpet to Carpet/Wall version of the Guardian Series is designed to allow the edge of most commercial grade, low pile carpet to be easily tucked under the vinyl extrusion. The design allows for use adjacent to walls or other vertical boundaries as well as between two carpeted areas. The unique two-inch light cell containing 12V LEDs can be customized to meet the design criteria of any venue through the use of available deflector or diffuser inserts, LED spacing and assorted LED colors.

CONSTRUCTION

- Made from a durable, flexible extruded vinyl
- Factory assembled in 30- and 60-foot spooled rolls
- Double carpet flap design allows for use adjacent to walls or other vertical boundaries as well as between two carpeted areas.
- LED module spacing options available in 6", 9", 12" and 18" on center

OPTICS / LENS / DIFFUSER

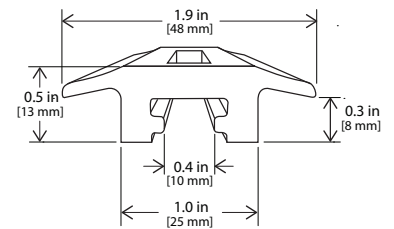
- Acrylic Clear or Tinted diffuser lenses spread the light evenly across the light module

PERFORMANCE

- Simple installation includes gluing assembled extrusion to the desired surface
- Easily modified at the job site. The extrusion can be cut as close as two inches from the edge of a light source.
- Parallel wiring utilizing Class 2 power supply allows each light source to operate independently, providing superior safety and ease of maintenance
- Only 0.25 watts energy consumption per LED module
- Operates on 12V AC or DC power

LIGHT CHARACTERISTICS

- Unique two-inch light cell containing 12V LEDs
- Assorted LED colors available in Blue, Green, White, Amber, Red and Yellow



No Factory in the Field®

Guardian Series is designed for ease of installation and maintenance.

WARRANTY

Minimum 2 year limited warranty. Contact customer service for more details on warranty options.



Guardian Series 2100

CARPET TO CARPET AISLE LIGHTING

ORDERING INFORMATION

GUARDIAN SERIES 2100

Example: 2118-BK-1-AC

2100 Series, 18" o.c. module spacing, black vinyl, single circuit, amber LED, clear light effect

21			1		
PLATFORM					
Series	Module Spacing	Vinyl Color	Number of Circuits	LED Color	Light Effect
21 2100 Series	06 6" o.c. 09 9" o.c. 12 12" o.c. 18 18" o.c.	BK Black ** Custom	1 Single	B Blue - 2 LED G Green - 2 LED W* White - 2 LED A Amber - 4 LED R Red - 4 LED Y Yellow - 4 LED	C Clear T Tinted

NOTES:

*White LEDs have a shorter life and reduced light output.

**Custom colors can be special ordered.

SYSTEM INTEGRATION ACCESSORIES

ADHESIVE - ADHESIVE - Must be purchased from Tempo. 1 tube per 50 ft. of product. ¹		
	ADH-BOND-02	Adhesive
	ADH-SPREADER	Adhesive Spreader
POWER SUPPLIES		
	PWR-T010012/2	120V AC Input, 12V AC Output, 100W, 2 Circuit, Class II Magnetic Transformer, NEMA 3R Case
	PWR-T015012/2	120V AC Input, 12V AC Output, 150W, 3 Circuit, Class II Magnetic Transformer, NEMA 3R Case
	PWR-T025012/2	120V AC Input, 12V AC Output, 250W, 4 Circuit, Class II Magnetic Transformer, NEMA 3R Case
SURGE SUPPRESSION DEVICE A Tempo furnished surge suppression device must be installed on each supplying branch circuit to comply with Tempo's 5-year warranty terms		
	SSD-120	120V Branch Circuit
	SSD-277	277V Branch Circuit

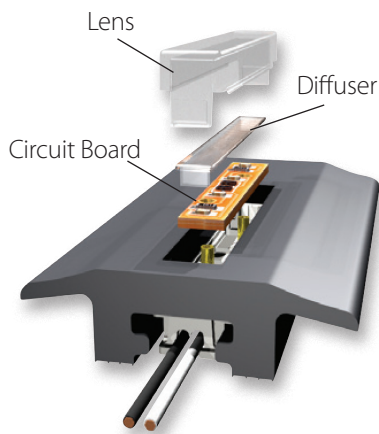
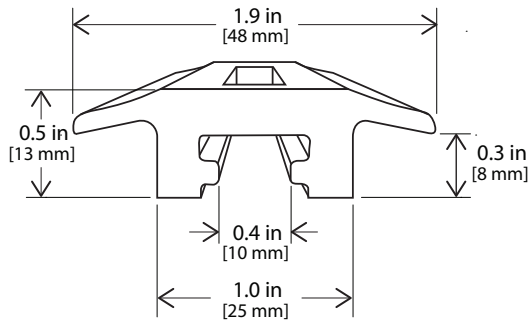
NOTES:

(1) Adhesive provided is a special formulation designed and tested to ensure product is secure, reducing the likelihood of trips and falls.

Guardian Series 2100

CARPET TO CARPET AISLE LIGHTING

DIMENSIONAL INFORMATION



Tempo products and technologies are protected under one or more US and International patents.

Tempo reserves the right to change materials or modify the design of its product without notification as part of the company's continuing product improvement program. Please consult www.tempindustries.com for the most up-to-date specifications and technical data.