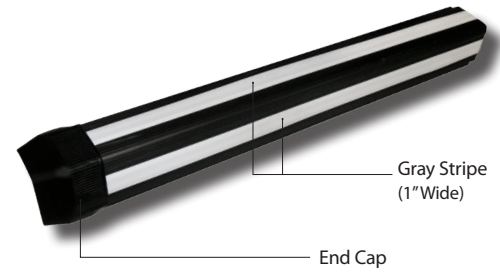


Guardian Series 2300

NON-LIT STRIPED STEP NOSE SYSTEM



ATTRACTIVE, SAFE, STEP EDGE DELINEATION

Tempo's Guardian 2300 Series Striped Step Nose product helps to delineate the edge of the step with a nominal 1" wide contrasting stripe. The system is available with end caps for a finished appearance.

CONSTRUCTION

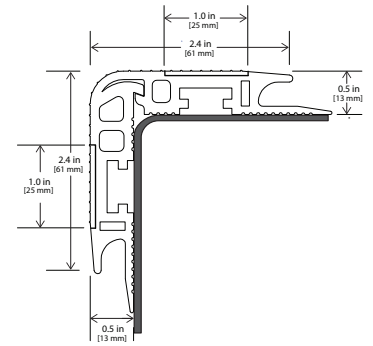
- Durable, flexible vinyl extrusion conforms to uneven surfaces, eliminating potential hazards associated with hard PVC or aluminum extrusions
- Available in solid gray, solid black or with nominal 1" contrasting stripe of black, gray or custom color
- An optional carpet shim allows for carpet thinner than 5/16" thick to maintain a more flush contact to the extrusion
- System is available with end caps for a finished appearance

PERFORMANCE

- Molds to uneven surfaces to ensure a long lasting and structurally sound nose edge.
- Design incorporates a "living hinge" to allow the step nose to be installed securely on steps with riser angles of 75 to 90 degree
- May be used in conjunction with any Sentinel System product to greatly improve visibility of a step edge as well as the aesthetics of the area

SUGGESTED COMPANION PRODUCTS

- Guardian 2300 LED Lit Tread & Riser Step Nose. See 2300L spec sheet for details



WARRANTY

Minimum 2 year limited warranty. Contact customer service for more details on warranty options.



ADA Compliant

Guardian Series 2300

NON-LIT STRIPED STEP NOSE SYSTEM

ORDERING INFORMATION

GUARDIAN SERIES 2300 STEP NOSE

Example: 2300GS-048

2300 Series, black vinyl, 48" in length

23		
PLATFORM		
Series	Vinyl Color	Length
23 2300 Series	BK Black GY Solid Gray GS Black w/Gray Stripe DS Dual Stripe ** Custom Colors on Special Order	30" - 144" Specify in 6" increments

NOTES:

Step Nose is cut 2" longer than ordered and is to be cut to size in the field.

Guardian Series 2300

NON-LIT STRIPED STEP NOSE SYSTEM

SYSTEM INTEGRATION ACCESSORIES

END CAPS		
	2300-BK-EC	Solid Black End Cap
	2300-GY-EC	Solid Gray End Cap

J-BOX		
	LPS-BK-JBX	LPS Junction Box, Black
	LPS-BK-RW-JBX	LPS Inline Raceway J-Box, Black

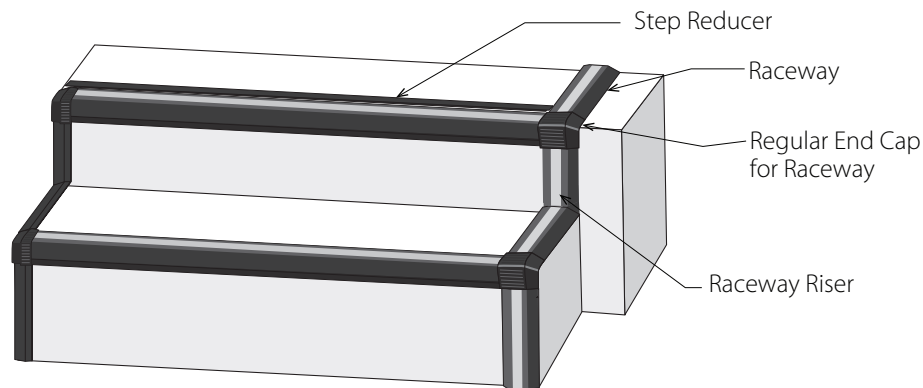
RACEWAY		
	LPS-BK-RW-CF-B	LPS Raceway, Black, Carpet to Floor, Base, 8ft
	LPS-BK-RW-CC-B	LPS Raceway, Black, Carpet to Carpet, Base, 8ft
	LPS-GY-RW-C	LPS Raceway, Gray, Cover, 8ft
	LPS-BK-RW-C	LPS Raceway, Black, Cover, 8ft
	LPS-BK-RW-RSR	LPS Raceway, Black, Riser, 8in, square cut in field for left or right

ADHESIVE - Must be purchased from Tempo. 1 tube per 10 ft. of step nose. ¹		
	ADH-BOND-01	Adhesive
	ADH-SPREADER	Adhesive Spreader

MISC		
	SHIM-THINCARPET	Carpet Shim
	LPS-BK-SR	LPS Step Reducer, Black, 120ft roll

NOTES:

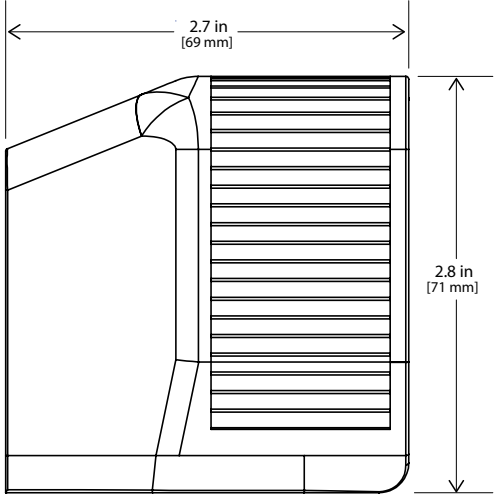
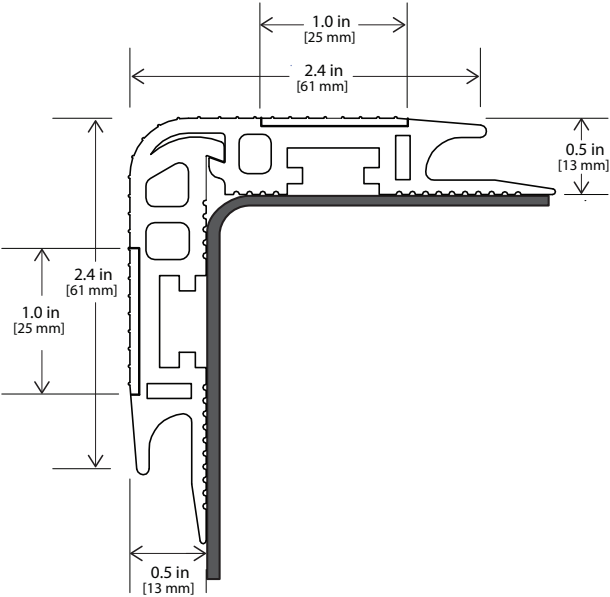
(1) Adhesive provided is a special formulation designed and tested to ensure product is secure, reducing the likelihood of trips and falls.



Guardian Series 2300

NON-LIT STRIPED STEP NOSE SYSTEM

DIMENSIONAL INFORMATION



End Cap adds 2.5 in to overall length of product.

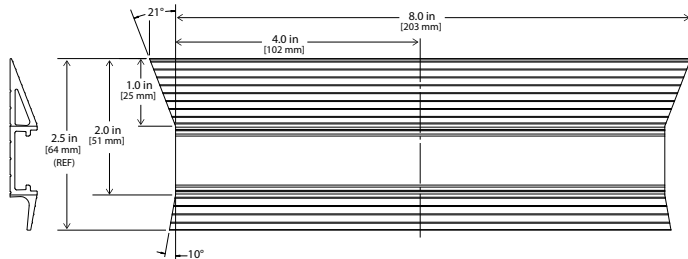
Guardian Series 2300

NON-LIT STRIPED STEP NOSE SYSTEM

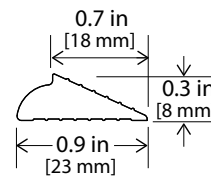
DIMENSIONAL INFORMATION

RACEWAY RISER (LPS-BK-RW-RSR)

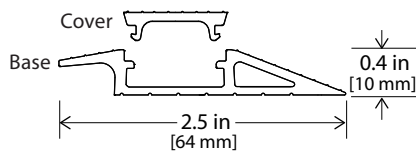
Square cut one end for left or right



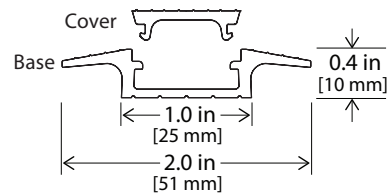
STEP REDUCER (LPS-BK-SR)



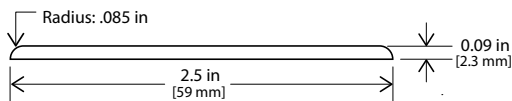
RACEWAY CARPET TO FLOOR (LPS-BK-RW-CF-B)



RACEWAY CARPET TO CARPET (LPS-BK-RW-CC-B)



CARPET SHIM (SHIM-THINCARPET)



Tempo products and technologies are protected under one or more US and International patents.

Tempo reserves the right to change materials or modify the design of its product without notification as part of the company's continuing product improvement program. Please consult www.tempolc.com for the most up-to-date specifications and technical data.