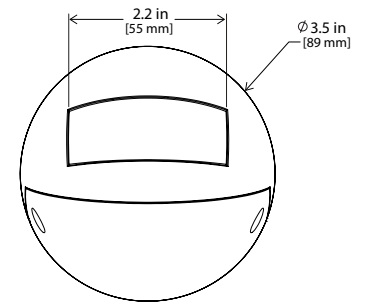


RSL

SEAT/PATH LIGHT

REMOTE POWER SUPPLY



APPLICATION

Tempo's RSL is a low voltage, class 2 LED step and aisle lighting luminaire that provides broad and uniform lighting distribution from low mounting heights. With aesthetics and durability in mind, RSL offers a half-dome structure comprised of durable cast aluminum housing and a thick polycarbonate lens for complete protection of the light source. RSL is available with or without graphics display.

CONSTRUCTION

- Rugged die cast aluminum housing
- Optional curved protective polycarbonate lens
- Impact and vandal resistant
- Easily replaceable LED modules

OPTICS / LENS / DIFFUSER

- Optional illuminated row marker/graphics panel
- Optional baffle for increased cut-off, recommended when installed on stairs or tiered levels to minimize glare.

POWER SYSTEM

- Utilizes remote, class II low voltage magnetic transformer
- Dimmable

SUGGESTED COMPANION PRODUCTS

- LPS® and Guardian – Gray Stripe Step Nose extrusion
- LPS® – Raceway
- LPS J-Box

PERFORMANCE

- Less than 0.5 watts energy consumption
- Exceeds life safety code levels for performance environments
- Expected life (L85) 86,000+ hours of operation

LIGHT CHARACTERISTICS

- Available in 2700K or 3500K color temperatures
- 80+ Color Rendering Index (CRI)

WARRANTY

Tempo provides a 2 year limited warranty. A 5 year limited warranty will apply when installed by a Tempo Certified Installer.



RSL

SEAT/PATH LIGHT
REMOTE POWER SUPPLY

ORDERING INFORMATION

RSL 1

Example: RSL1-BK-27K-B-CL-12

RSL1 Series, Black Anodized, 2700K color temperature, Baffle, Clear Lens, 12V AC

RSL1						
PLATFORM						
Series	Metal Finish	Color Temperature ¹		Baffle	Lens	Voltage
RSL1 Seat/Path Light	BK Black Anodized	27K 2700K	35K 3500K	N None	N None	12 12V AC
	CUS Custom Consult Factory			B ² Baffle	CL Clear Lens	29 ³ 29V DC

NOTES:

- (1) Consult factory for alternate color temperatures or colors.
- (2) Baffle recommended when installed on steps or tiered levels to minimize glare.
- (3) 29V transformer by others.

RSL 2 (with graphics)

Example: RSL2-BK-27K-B-CL-12-BK-10-GR

RSL2 Series, Black Anodized, 2700K color temperature, Baffle, Clear Lens, 12V AC, Black Graphics Plate, Standard Font on Plate Graphics in Green

RSL2									
PLATFORM									
Series	Metal Finish	Color Temperature ¹		Baffle	Lens	Voltage	Graphics Plate Color	Plate Graphics (Text or Graphics)	Graphic Color
RSL2 Seat/Path Light w/ graphics	BK Black Anodized	27K 2700K	35K 3500K	N None	N None	12 12V AC	BK Black	10 Standard Font (Arial only)	BL Blue
	CUS Custom Consult Factory			B ³ Baffle	CL Clear Lens	29 ⁴ 29V AC	SPL Custom Colors on Special Order	20 Special Font (Text only) 40 Special Graphic ² (From Factory) 50 Custom (Customer Supplied Art)	GR Green WH White AM Amber R Red

NOTES:

- (1) Consult factory for alternate color temperatures or colors.
- (2) Consult factory for specific graphic details.
- (3) Baffle recommended when installed on steps or tiered levels to minimize glare.
- (4) 29V transformer by others.

SYSTEM INTEGRATION ACCESSORIES

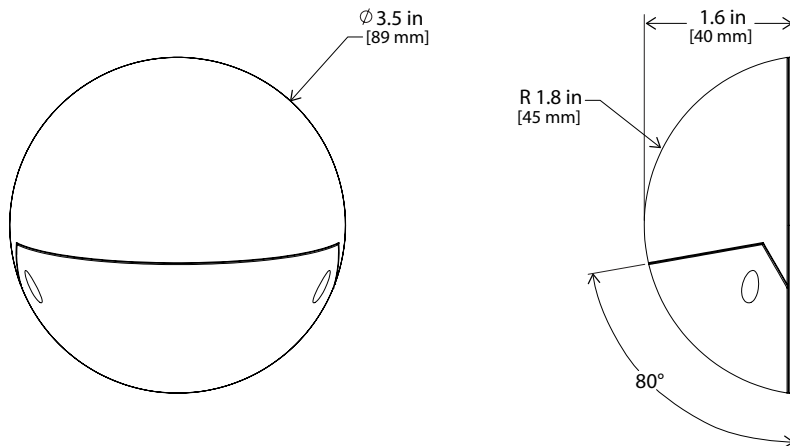
POWER SUPPLIES		
	PWR-T010012/2	120V AC Input, 12V AC Output, 100W, 2 Circuit, Class II Magnetic Transformer, NEMA 3R Case
	PWR-T015012/2	120V AC Input, 12V AC Output, 150W, 3 Circuit, Class II Magnetic Transformer, NEMA 3R Case
	PWR-T025012/2	120V AC Input, 12V AC Output, 250W, 4 Circuit, Class II Magnetic Transformer, NEMA 3R Case
SURGE SUPPRESSION DEVICE A Tempo furnished surge suppression device must be installed on each supplying branch circuit to comply with Tempo's 5-year warranty terms		
	SSD-120	120V Branch Circuit

RSL

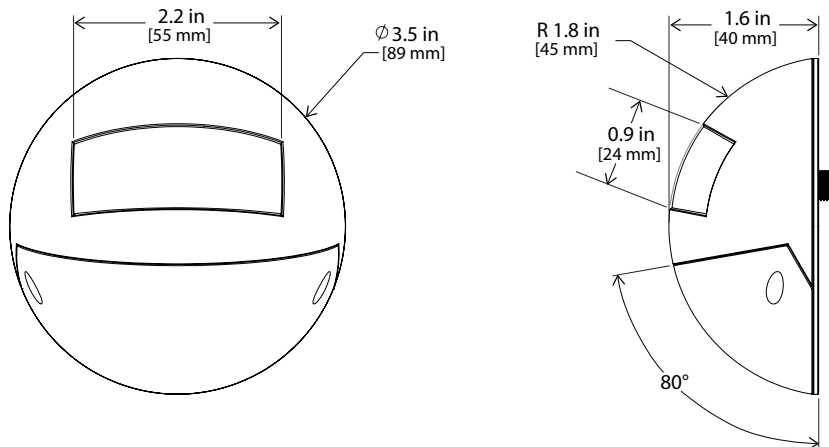
SEAT/PATH LIGHT
REMOTE POWER SUPPLY

DIMENSIONAL INFORMATION

RSL 1



RSL 2 with Graphics



Tempo products and technologies are protected under one or more US and International patents.

Tempo reserves the right to change materials or modify the design of its product without notification as part of the company's continuing product improvement program. Please consult www.tempolc.com for the most up-to-date specifications and technical data.