

Sentinel™ Seat Light II



APPLICATION

Tempo's Sentinel™ Seat Light II is a low voltage, class 2, LED based stairway and aisle lighting luminaire that incorporates a back-lit informational panel. The compact design of the Seat Light II is perfect for live performance auditoriums, cinemas and a wide variety of commercial and institutional applications. Designed to provide a wide and uniform distribution of light over a path of egress from a low mounting height, the Seat Light II can also direct patrons and staff via a customizable graphics panel.

The Seat Light II is extremely durable. Constructed of a two piece die cast aluminum housing with a black anodized finishing treatment along with an impact resistant acrylic lens, the Seat Light II can withstand the harshest interior environments. Utilizing high output, low energy consuming, lighting class LED's, Seat Light II offers years of maintenance free service.

CONSTRUCTION

- Rugged die Cast Aluminum Housing
- Impact and vandal Resistant
- Easily replaceable LED modules
- Low Voltage – Class 2 wiring
- 18 AWG wire leads (6ft) jacketed with 3/16" flex metal conduit (5ft)

PERFORMANCE

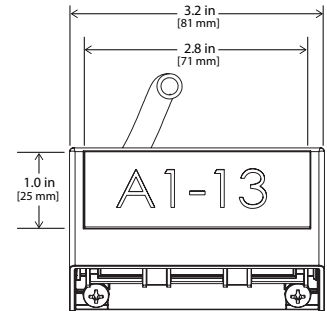
- Superior thermal management
- Less than 0.5 watts energy consumption
- Dimmable with compatible transformers
- Expected life (L85) 86,000+ hours of operation

SUGGESTED COMPANION PRODUCTS

- LPS® and Guardian – Gray Stripe Step Nose extrusion
- LPS® – Raceway
- 12VAC Low Voltage transformers
- LPS J-Box

LIGHT CHARACTERISTICS

- Available in 2700K or 3500K color temperatures
- 80+ Color Rendering Index (CRI)



WARRANTY

Tempo provides a limited 5-year warranty.



Sentinel™ Seat Light II

ORDERING INFORMATION

SEAT LIGHT II LED

Example: 3421 BK-27K-12-BK-10BL

3421 Series, Black Anodized, 2700K color temperature, 12V AC, Black Graphics Plate, Standard Font on Plate Graphics, Blue LED color on graphic

3421						
PLATFORM						
Series	Metal Finish	Color Temperature ¹	Voltage	Graphics Plate Color	Plate Graphics (Text or Graphics)	Graphic LED Color
3421 3421 Series	BK Black CUS Custom Consult Factory	16K 1600K 22K 2200K 27K 2700K 35K 3500K 40K 4000K RD Red GR Green BL Blue AM Amber	12 12V AC 29³ 29V DC	BK Black SPL Custom Colors on Special Order	00 No Graphic 10 Standard Font (Arial only) 20 Special Font (Text only) 40 Special Graphic ² (From Factory) 50 Custom (Customer Supplied Art)	BL Blue GR Green WH White AM Amber RD Red YL Yellow

NOTES:

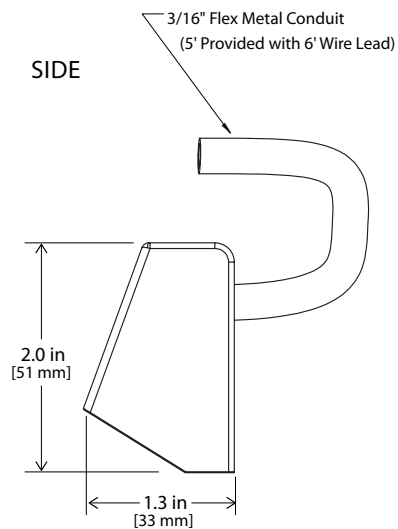
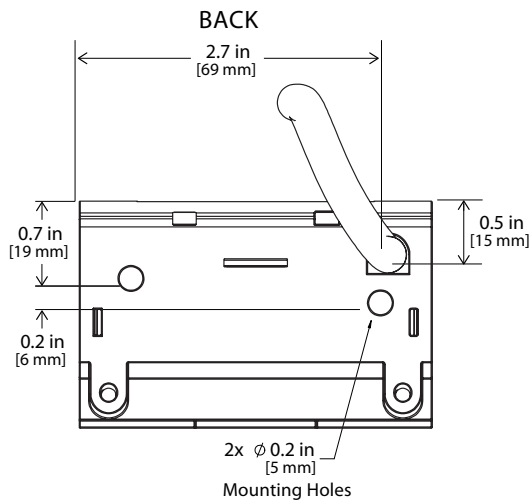
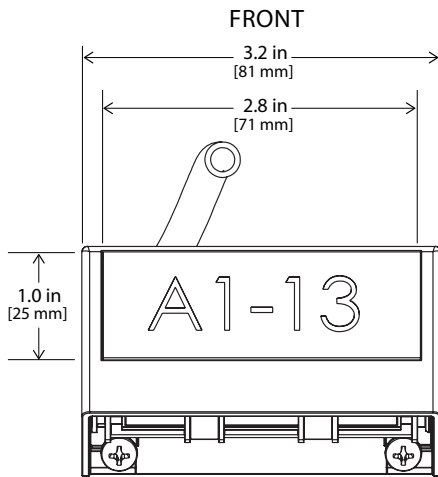
- (1) Consult factory for alternate color LED options.
- (2) Consult factory for specific graphics details.
- (3) 29V DC transformer by others.

SYSTEM INTEGRATION ACCESSORIES

POWER SUPPLIES		
	PWR-T010012/2	120V AC Input, 12V AC Output, 100W, 2 Circuit, Class II Magnetic Transformer, NEMA 3R Case
	PWR-T015012/2	120V AC Input, 12V AC Output, 150W, 3 Circuit, Class II Magnetic Transformer, NEMA 3R Case
	PWR-T025012/2	120V AC Input, 12V AC Output, 250W, 4 Circuit, Class II Magnetic Transformer, NEMA 3R Case
SURGE SUPPRESSION DEVICE A Tempo furnished surge suppression device must be installed on each supplying branch circuit to comply with Tempo's 5-year warranty terms		
	SSD-120	120V Branch Circuit
	SSD-277	277V Branch Circuit

Sentinel[™] Seat Light II

DIMENSIONAL INFORMATION



Tempo products and technologies are protected under one or more US and International patents.

Tempo reserves the right to change materials or modify the design of its product without notification as part of the company's continuing product improvement program. Please consult www.tempolc.com for the most up-to-date specifications and technical data.