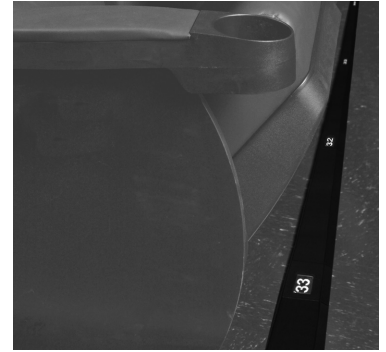


# Vanguard™ Illuminated Seat Marker



## APPLICATION

Tempo's Seat Marker illuminated displays are attractive, low-profile and customizable solutions for identifying exact seat locations in auditoriums and performance venues with reserved seating. The glare-free illuminated displays are ideal in spaces with dimmed lighting. Marker spacing is easily configured to match the seating layout. Constructed to withstand the most demanding environments, the Seat Marker employs a tamper resistant, durable zinc cast housing, impact resistant cast acrylic lens and long lasting LED light sources. Available with a wide selection of standard numbering and/or graphics the Seat Marker also offers five (5) standard LED light colors. The indicator lens can be positioned to face towards the seat or away from it depending on application preference. Customization is also available to incorporate different lens fonts and graphics.

The Seat Marker can be applied to either the riser's edge or under the seat where unoccupied seat bottoms are raised. With the ease and convenience of low voltage, class two wiring the luminaire can be applied in any number of methods and does not require the expense of having the supply wires enclosed in electrical metallic tubing (EMT). Using only 0.1 watts per luminaire, the Vanguard Series from Tempo Industries provides an upscale appearance and a durable, economical method of communication with patrons of your facility.

## FEATURES

- Durable, corrosion resistant die cast zinc housing
- Impact resistant cast acrylic lens
- Wide selection of standard graphics
- Custom graphics available

## PERFORMANCE

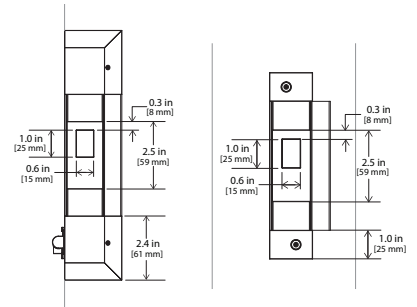
- Replaceable individual LED modules
- Total power consumption 0.1 watts per luminaire
- Two mounting options
- Marker spacing options available
- Expected life (L85) 86,000+ hours of operation

## SUGGESTED COMPANION PRODUCTS

- Aisle Row Marker
- Wireway
- Junction/Splice box

## LIGHT CHARACTERISTICS

- Assorted LED colors available in Amber, Blue, Green, Red and Yellow



## No Factory in the Field®

Vanguard Illuminated Seat Marker is designed for ease of installation and maintenance.

## WARRANTY

Tempo provides a 5-year limited warranty.



# Vanguard™ Illuminated Seat Marker

## ORDERING INFORMATION

Example: 1500BK-100-B

1500 Series, Black Faceplate, Standard Font Lens Graphic, Blue LED

<b>1500</b>	<b>BK</b>		
<b>PLATFORM</b>			
<b>Series</b>	<b>Graphics Plate Color</b>	<b>Lens Graphic</b>	<b>LED Colors<sup>1</sup></b>
<b>1500</b> 1500 Series	<b>BK</b> Black	<b>100</b> Standard Font (Arial font) <b>200</b> Special Font (Text only) <b>300</b> Standard Informational Signs* <b>400</b> Special Graphic* (From Factory) <b>500</b> Custom (Customer supplied Art)	<b>A</b> Amber <b>B</b> Blue <b>G</b> Green <b>R</b> Red <b>Y</b> Yellow

NOTES:

\* Consult factory for alternate color LED options.

## SYSTEM INTEGRATION ACCESSORIES

MOUNTING EXTRUSION		
	<b>1500-BK-ME</b>	Seat Marker Mounting Extrusion with Cover
	<b>1500-BK-ME-GS</b>	Seat Marker Mounting Extrusion with Gray Cover

END CAP		
	<b>1500BK-EC-SET-RM</b>	Seat Marker End Cap with Power Feed - Left & Right - Riser Mount
	<b>1500BK-EC-SET-FM</b>	Seat Marker End Cap with Power Feed - Left & Right - Flush Mount

FLEXIBLE WIRE		
	<b>WIR-FLEX-01</b>	1' Flexible Wire
	<b>WIR-FLEX-03</b>	3' Flexible Wire

POWER SUPPLIES		
	<b>PWR-T010012/2</b>	120V AC Input, 12V AC Output, 100W, 2 Circuit, Class II Magnetic Transformer, NEMA 3R Case
	<b>PWR-T015012/2</b>	120V AC Input, 12V AC Output, 150W, 3 Circuit, Class II Magnetic Transformer, NEMA 3R Case
	<b>PWR-T025012/2</b>	120V AC Input, 12V AC Output, 250W, 4 Circuit, Class II Magnetic Transformer, NEMA 3R Case

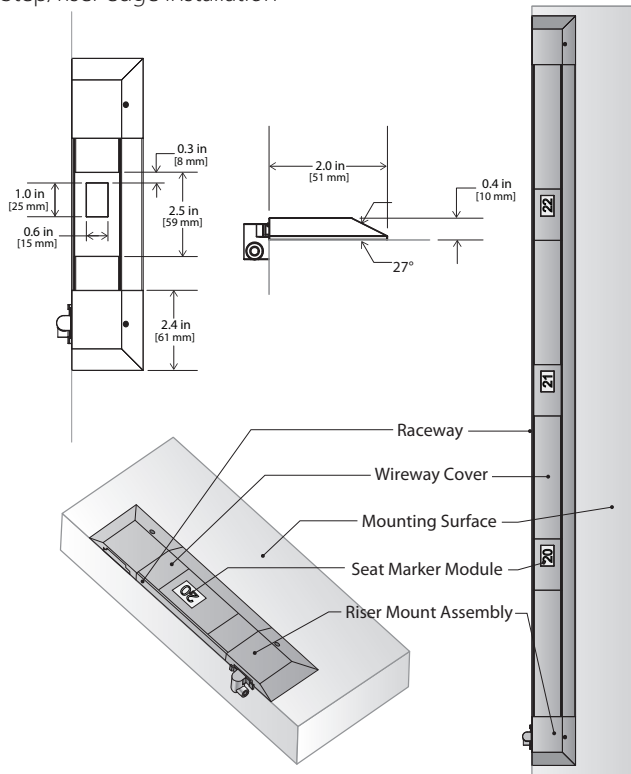
SURGE SUPPRESSION DEVICE A Tempo furnished surge suppression device must be installed on each supplying branch circuit to comply with Tempo's 5-year warranty terms		
	<b>SSD-120</b>	120V Branch Circuit
	<b>SSD-277</b>	277V Branch Circuit

## Vanguard™ Illuminated Seat Marker

### DIMENSIONAL INFORMATION

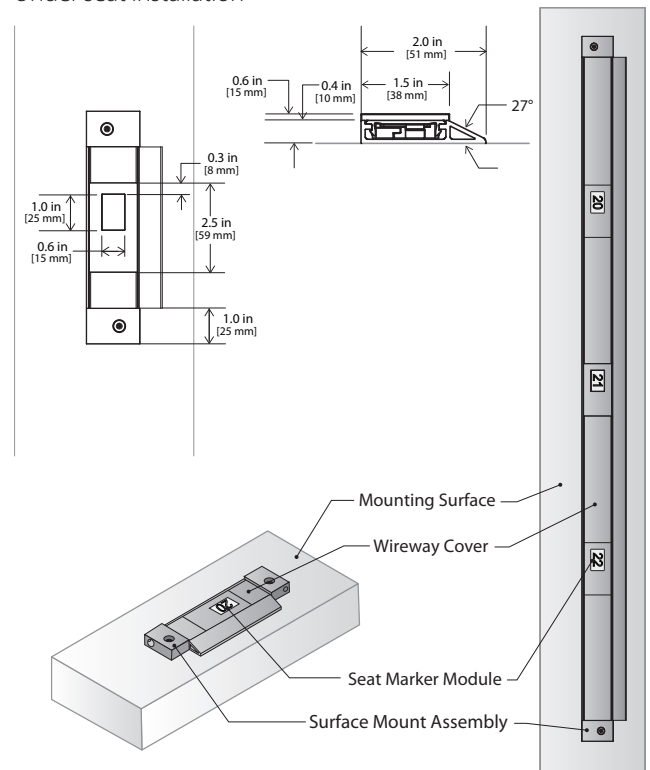
#### Riser Mount Assembly

Step/riser edge installation



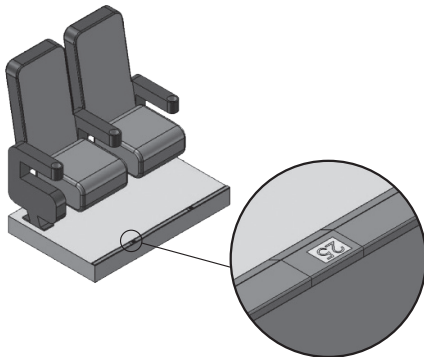
#### Flush Mount Assembly

Under seat installation

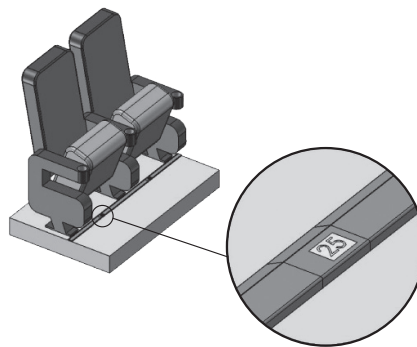


### SEAT MARKER CAN BE MOUNTED IN TWO DIFFERENT ORIENTATIONS

#### Riser Mount Assembly



#### Flush Mount Assembly



Tempo products and technologies are protected under one or more US and International patents.

Tempo reserves the right to change materials or modify the design of its product without notification as part of the company's continuing product improvement program. Please consult [www.tempolc.com](http://www.tempolc.com) for the most up-to-date specifications and technical data.