

Vertical Light LED



VL2 Shown

APPLICATION

The compact vertical light adds a small punch of light exactly where you need it. The VL1 mounts to a 1.5" post, such as the front of a hand rail, to provide a spill of light on a step to improve safety illumination. VL2 may be mounted to flat surfaces, for applications such as lighting personal tables on luxury cinema seating. Alternatively, specify the VLP for a standalone luminaire with post height to meet your requirements.

CONSTRUCTION

- Die cast aluminum construction
- Vandal resistant
- Easily replaceable LED modules
- Low voltage, Class 2 wiring

POWER SYSTEM

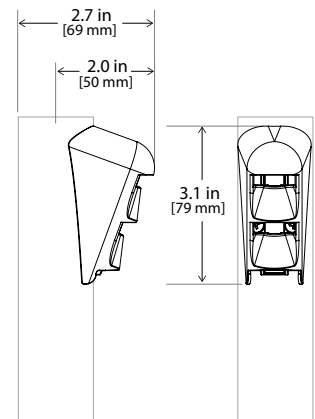
- Utilizes remote, Class II low-voltage 12V AC power supply
- Dimmable with compatible transformers and dimmers

PERFORMANCE

- 3 LED module shielded to minimize glare
- Less than 0.5 watts energy consumption
- Expected life (L85) 86,000+ hours of operation

LIGHT CHARACTERISTICS

- Lighting class LEDs
- Available in 1600K, 2200K, 2700K and 3500K color temperature. Red, Green, Blue and Amber also available.



VL1 Shown

WARRANTY

Tempo provides a 2 year limited warranty. A 5 year limited warranty will apply when installed by a Tempo Certified Installer.



Vertical Light LED

ORDERING INFORMATION

Example: **VL1-22K-BK**

VL1 Series, Post Mount Vertical Light, 2200K, Black Finish

				BK
Series		LED Color Temperature ¹		Finish
VL1	Post Mount	16K	1600K	BK Black
VL2	Flat Surface Mount	22K	2200K	
		27K	2700K	
		35K	3500K	
		RD	Red	
		GR	Green	
		BL	Blue	
		AM	Amber	

NOTES:

(1) Consult factory for alternate color LED options.

Example: **VLP-16-22K-BK**

VLP Series, Vertical Light, 16" high, 2200K, Black Finish

VLP		16			BK
Series		Post Height	LED Color Temperature ¹		Finish
VLP	VL1 with Post	16 16"	16K	1600K	BK Black
			22K	2200K	
			27K	2700K	
			35K	3500K	
			RD	Red	
			GR	Green	
			BL	Blue	
			AM	Amber	

NOTES:

(1) Consult factory for alternate color LED options.

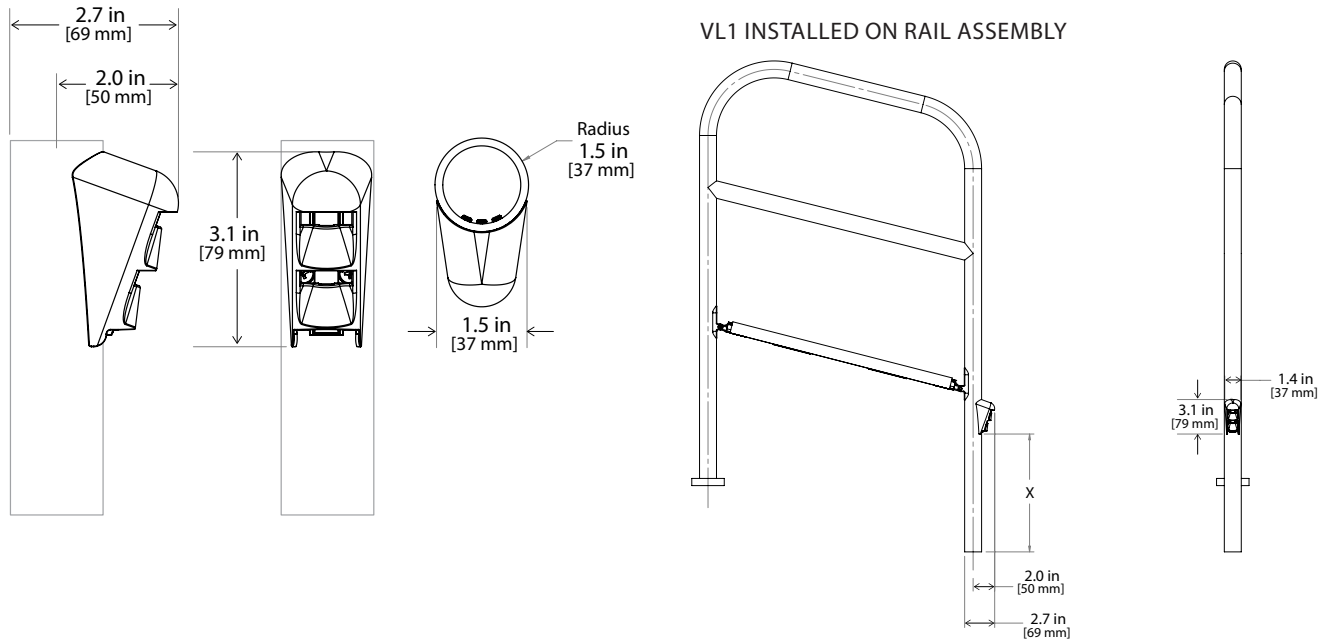
SYSTEM INTEGRATION ACCESSORIES

POWER SUPPLIES		
	PWR-T010012/2	120V AC Input, 12V AC Output, 100W, 2 Circuit, Class II Magnetic Transformer, NEMA 3R Case
	PWR-T015012/2	120V AC Input, 12V AC Output, 150W, 3 Circuit, Class II Magnetic Transformer, NEMA 3R Case
	PWR-T025012/2	120V AC Input, 12V AC Output, 250W, 4 Circuit, Class II Magnetic Transformer, NEMA 3R Case
SURGE SUPPRESSION DEVICE A Tempo furnished surge suppression device must be installed on each supplying branch circuit to comply with Tempo's 5-year warranty terms		
	SSD-120	120V Branch Circuit
	SSD-277	277V Branch Circuit

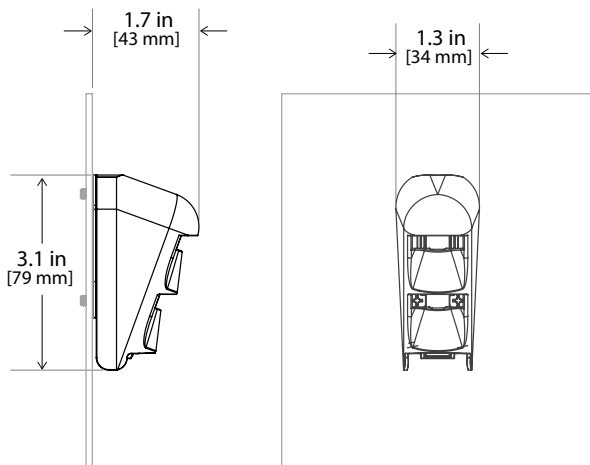
Vertical Light LED

DIMENSIONAL INFORMATION

VL1



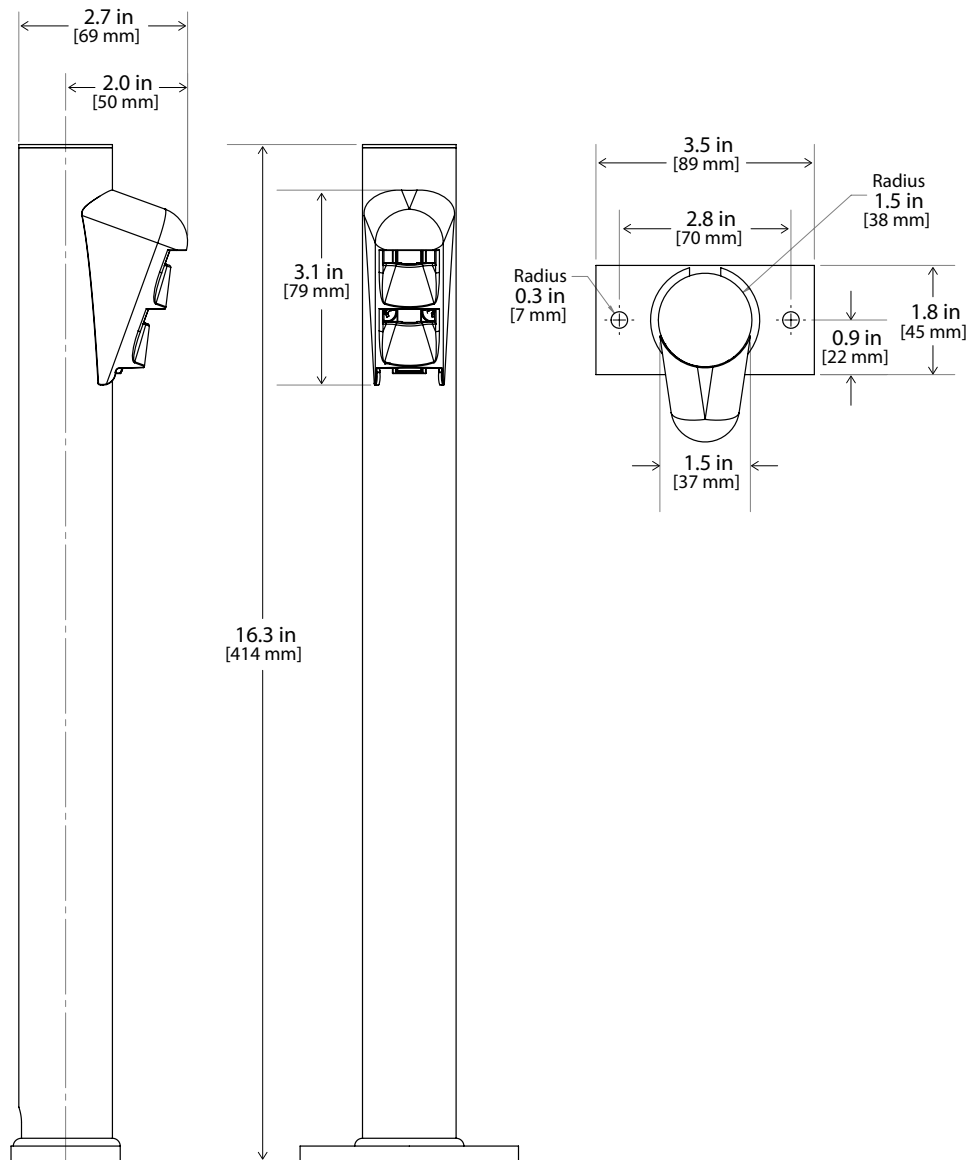
VL2



Vertical Light LED

DIMENSIONAL INFORMATION

VLP



Tempo products and technologies are protected under one or more US and International patents.

Tempo reserves the right to change materials or modify the design of its product without notification as part of the company's continuing product improvement program. Please consult www.tempindustries.com for the most up-to-date specifications and technical data.