

UNLESS OTHERWISE SPECIFIED:
DIMENSIONS ARE IN INCHES
TOLERANCES:
ANGULAR: $\pm 1/2$ DEG
DECIMAL: .X ± 0.063
.XX ± 0.031
.XXX ± 0.015
HOLES: UNDER 0.500 ± 0.005
OVER 0.501 ± 0.010

DO NOT SCALE DRAWING

MATERIAL

FINISH

	NAME	DATE	PRODUCT:
DRAWN	GJ	9/5/13	-
CHECKED			
ENG APPR.			
MFG APPR.			
DERIVED FROM			
COMMENTS:	-		

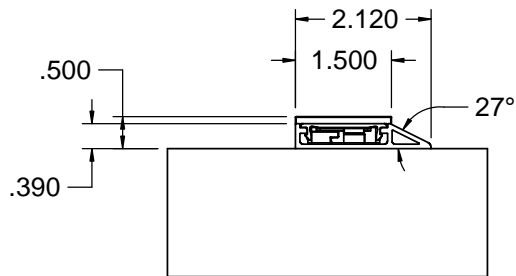
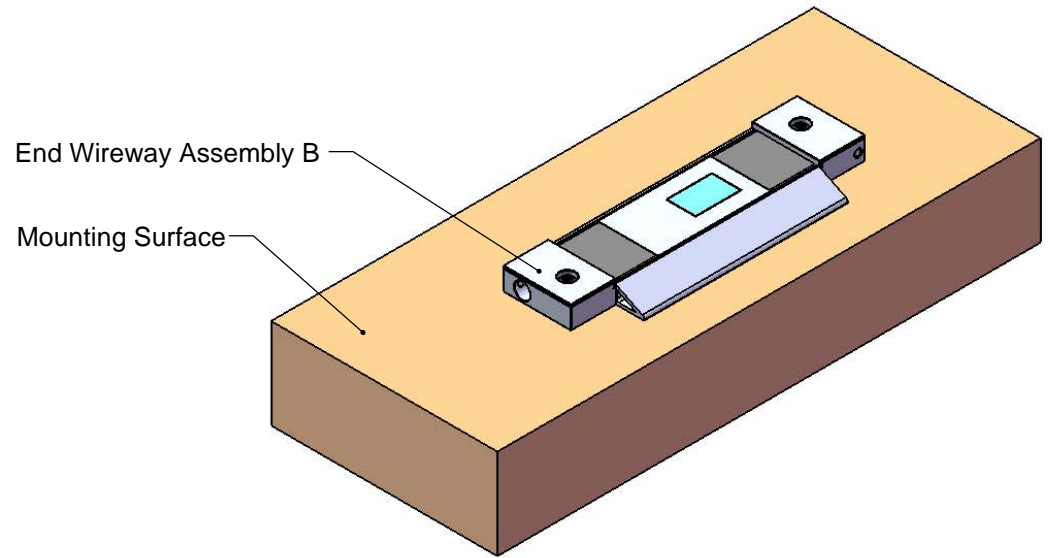
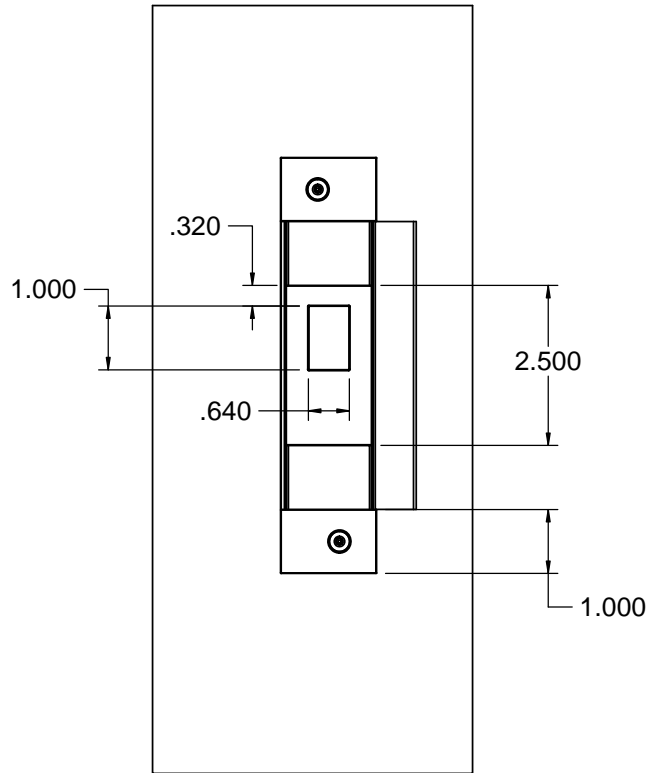


TITLE:
Seat Marker Assembly A

SIZE A	PART. NO.	REV A
------------------	-----------	-----------------

SCALE: 1:4 WEIGHT: SHEET 1 OF 1

The information contained in this document is the sole property of Tempo Industries. Reproduction in part or as a whole without the written permission of Tempo Industries Inc., is prohibited.



UNLESS OTHERWISE SPECIFIED:
 DIMENSIONS ARE IN INCHES
 TOLERANCES:
 ANGULAR: $\pm 1/2$ DEG
 DECIMAL: .X ± 0.063
 .XX ± 0.031
 .XXX ± 0.015
 HOLES: UNDER 0.500 ± 0.005
 OVER 0.501 ± 0.010

DO NOT SCALE DRAWING

MATERIAL

FINISH

	NAME	DATE	PRODUCT:
DRAWN	GJ	9/5/13	-
CHECKED			
ENG APPR.			
MFG APPR.			
DERIVED FROM			
COMMENTS:	-		



TITLE:

Seat Marker Assembly B

SIZE
A

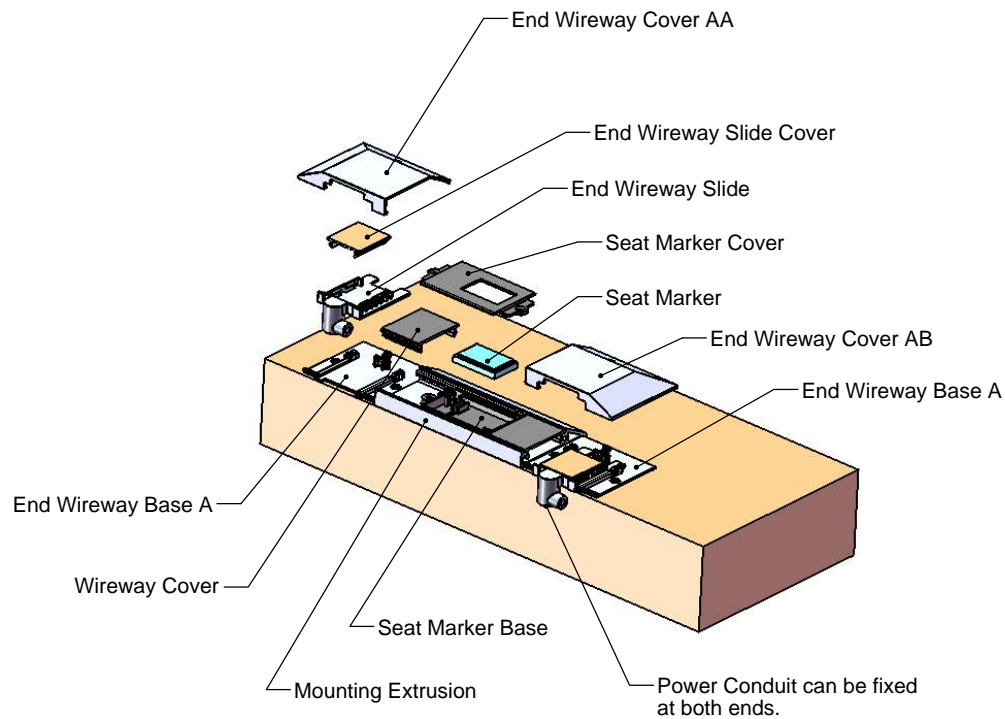
PART. NO.

REV
A

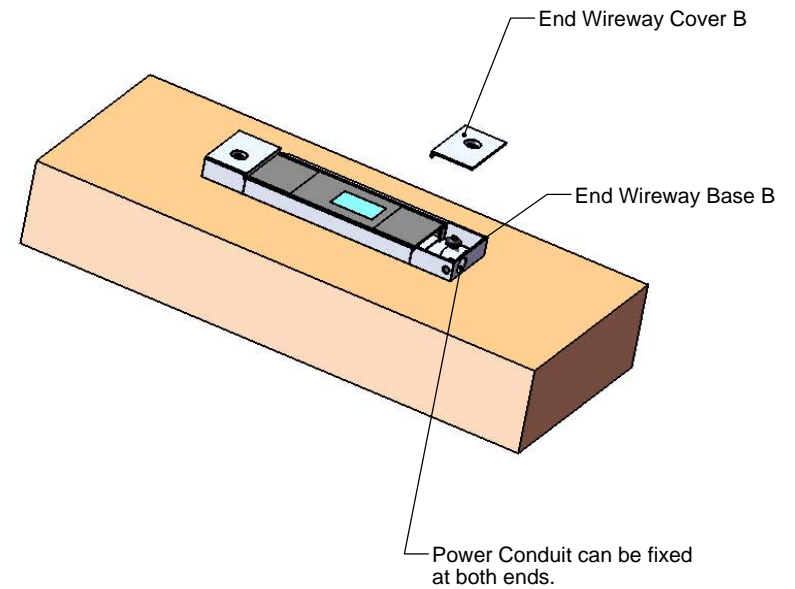
SCALE: 1:4

WEIGHT:

SHEET 1 OF 1




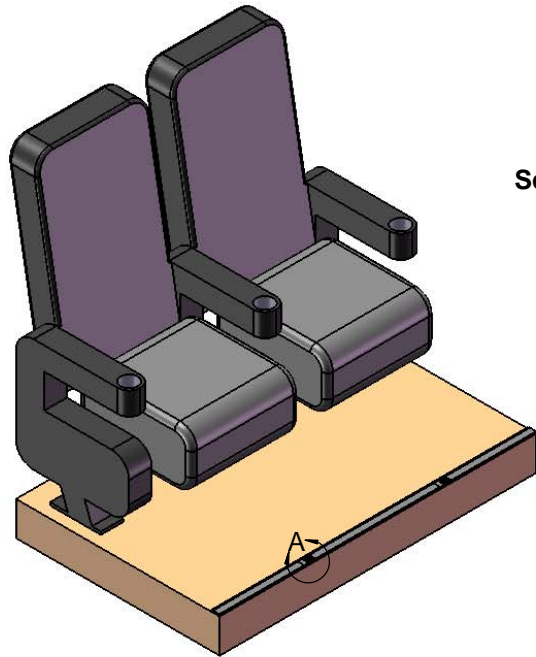
Installation Scenario A



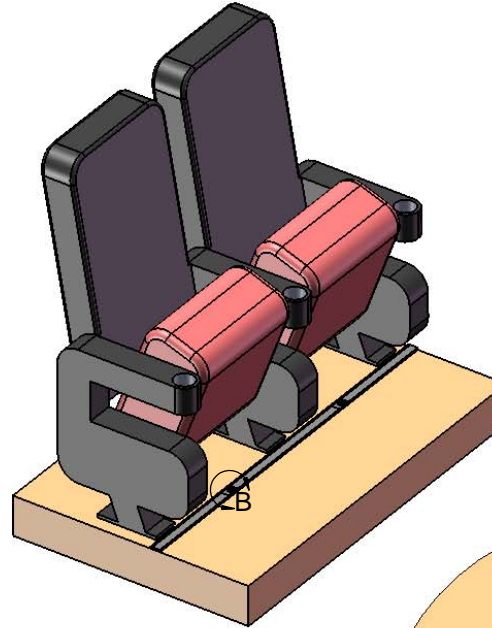
Installation Scenario B

The information contained in this document is the sole property of Tempo Industries. Reproduction in part or as a whole without the written permission of Tempo Industries Inc., is prohibited.

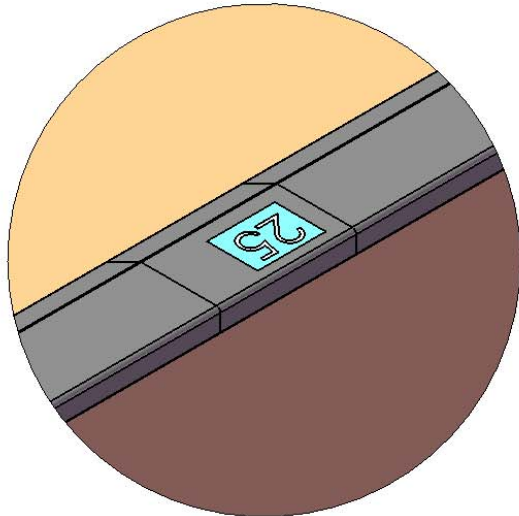
UNLESS OTHERWISE SPECIFIED: DIMENSIONS ARE IN INCHES TOLERANCES: ANGULAR: $\pm 1/2$ DEG DECIMAL: .X ± 0.063 .XX ± 0.031 .XXX ± 0.015 HOLES: UNDER 0.500 ± 0.005 OVER 0.501 ± 0.010		NAME	DATE	PRODUCT:		
	DRAWN	GJ	082613	-		
	CHECKED				TITLE: Seat Marker Assembly (Installation Scenario A&B)	
	ENG APPR.					
	MFG APPR.					
DO NOT SCALE DRAWING	DERIVED FROM			SIZE	PART. NO.	REV
MATERIAL	COMMENTS:			A		A
FINISH	-			SCALE: 1:8	WEIGHT:	SHEET 1 OF 1



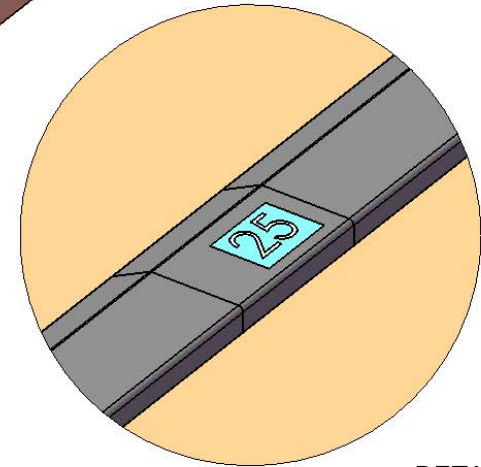
Scenario A




Scenario B



DETAIL A
SCALE 1 : 2



DETAIL B
SCALE 1 : 2

UNLESS OTHERWISE SPECIFIED: DIMENSIONS ARE IN INCHES TOLERANCES: ANGULAR: $\pm 1/2$ DEG DECIMAL: .X ± 0.063 .XX ± 0.031 .XXX ± 0.015 HOLES: UNDER 0.500 0.005 OVER 0.501 ± 0.010		NAME	DATE	PRODUCT:		
DO NOT SCALE DRAWING	DRAWN	GJ	9/3/13	TITLE:		
MATERIAL	CHECKED			Seat Marker Installation		
FINISH	ENG APPR.					
	MFG APPR.			SIZE	PART. NO.	REV
	DERIVED FROM			A		A
	COMMENTS:			SCALE: 1:24	WEIGHT:	SHEET 1 OF 1

The information contained in this document is the sole property of Tempo Industries. Reproduction in part or as a whole without the written permission of Tempo Industries Inc., is prohibited.