

UNLESS OTHERWISE SPECIFIED:
 DIMENSIONS ARE IN INCHES
 TOLERANCES:
 ANGULAR: $\pm 1/2$ DEG
 DECIMAL: .X ± 0.063
 .XX ± 0.031
 .XXX ± 0.015
 HOLES: UNDER 0.500 ± 0.005
 OVER 0.501 ± 0.010

DO NOT SCALE DRAWING

MATERIAL

FINISH

	NAME	DATE	PRODUCT:
DRAWN	GJ	9/5/13	-
CHECKED			
ENG APPR.			
MFG APPR.			
DERIVED FROM			
COMMENTS:	-		

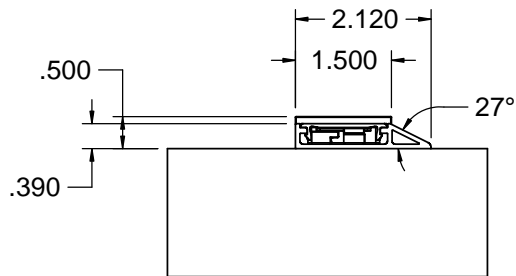
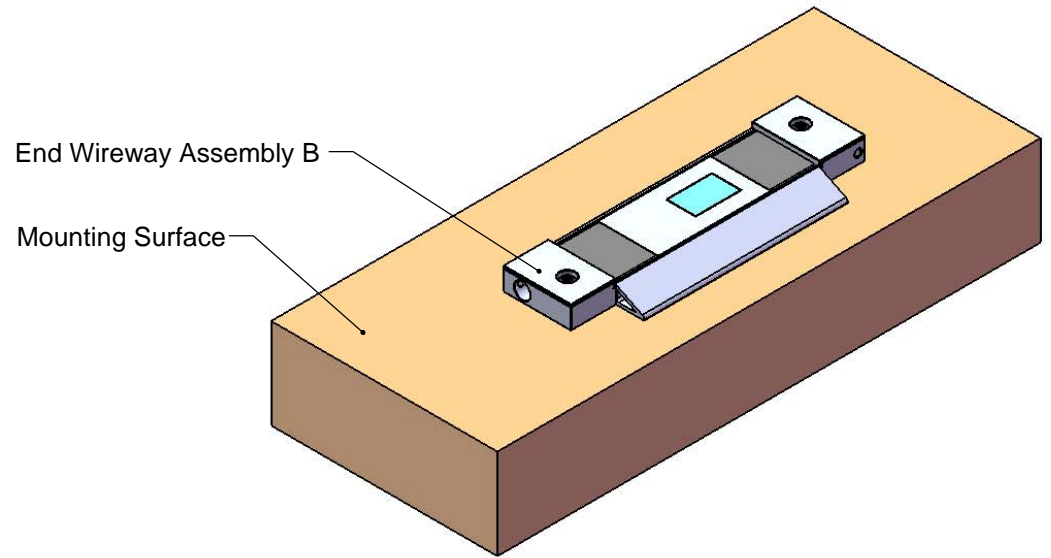
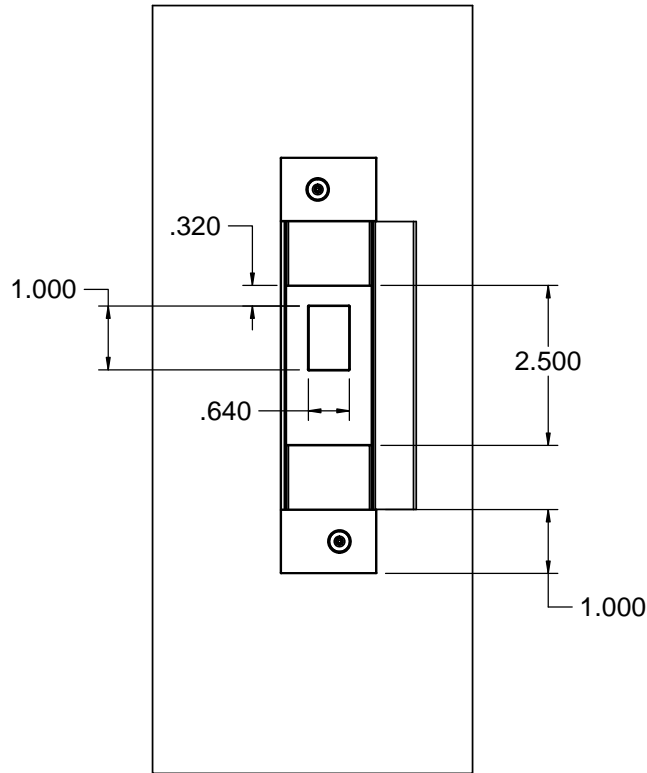


TITLE:
 Seat Marker Assembly A

SIZE A	PART. NO.	REV A
------------------	-----------	-----------------

SCALE: 1:4 WEIGHT: SHEET 1 OF 1

The information contained in this document is the sole property of Tempo Industries. Reproduction in part or as a whole without the written permission of Tempo Industries Inc., is prohibited.



UNLESS OTHERWISE SPECIFIED:
 DIMENSIONS ARE IN INCHES
 TOLERANCES:
 ANGULAR: $\pm 1/2$ DEG
 DECIMAL: .X ± 0.063
 .XX ± 0.031
 .XXX ± 0.015
 HOLES: UNDER 0.500 ± 0.005
 OVER 0.501 ± 0.010

DO NOT SCALE DRAWING

MATERIAL

FINISH

	NAME	DATE
DRAWN	GJ	9/5/13
CHECKED		
ENG APPR.		
MFG APPR.		

DERIVED FROM

COMMENTS:

-

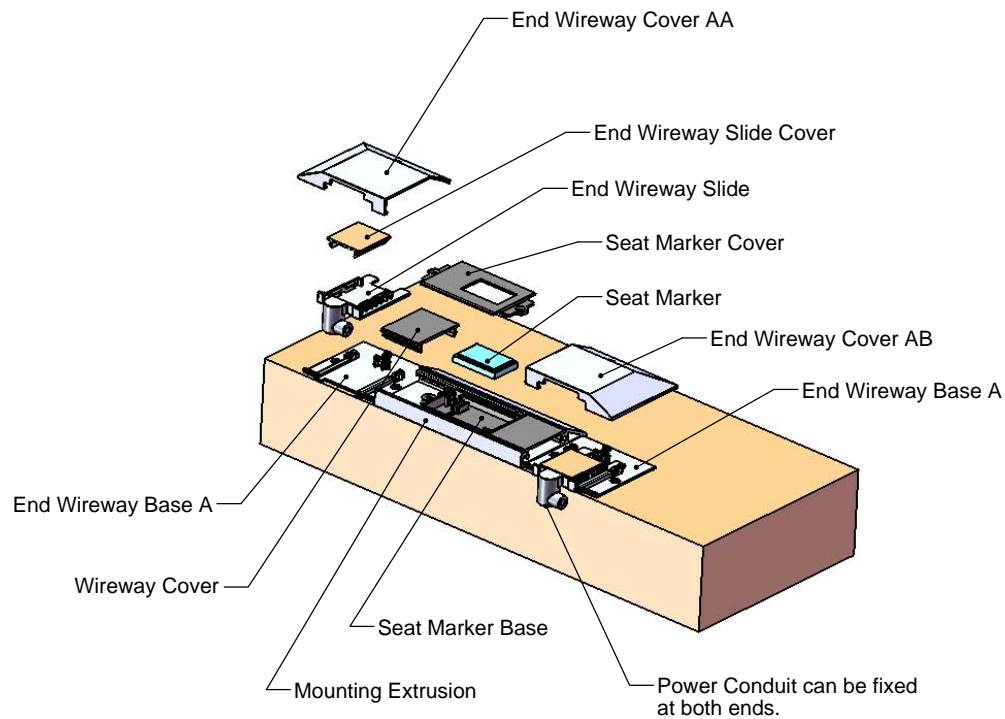
PRODUCT:	
-	

TITLE:	
-	Seat Marker Assembly B

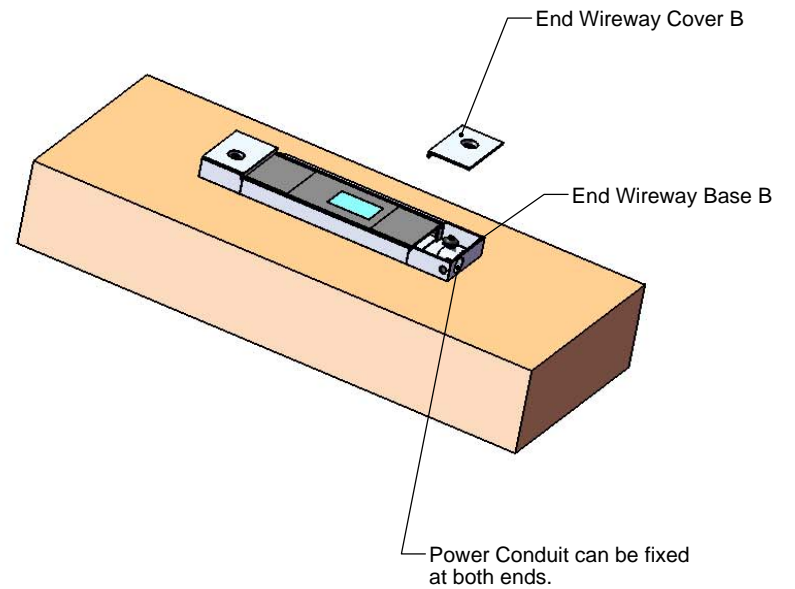
SIZE	PART. NO.	REV
A		A

SCALE:	WEIGHT:	SHEET
1:4		1 OF 1


The information contained in this document is the sole property of Tempo Industries. Reproduction in part or as a whole without the written permission of Tempo Industries Inc., is prohibited.



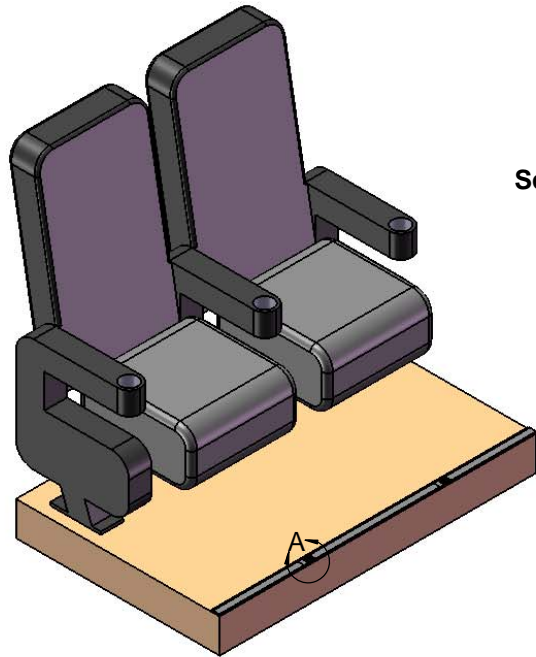
Installation Scenarion A



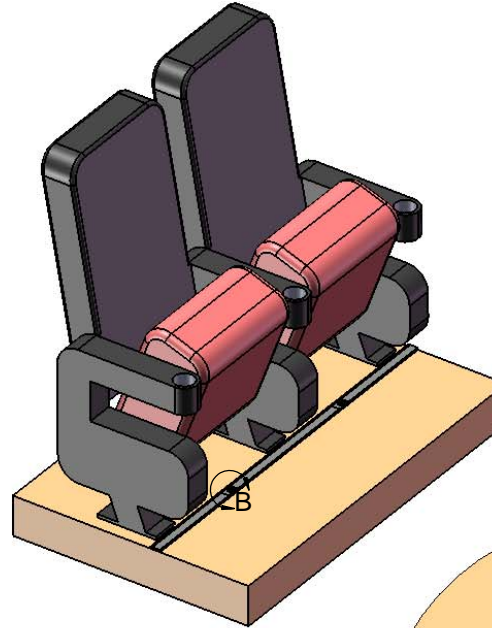
Installation Scenarion B

UNLESS OTHERWISE SPECIFIED: DIMENSIONS ARE IN INCHES TOLERANCES: ANGULAR: $\pm 1/2$ DEG DECIMAL: .X ± 0.063 .XX ± 0.031 .XXX ± 0.015 HOLES: $\begin{matrix} \text{UNDER } 0.500 & 0.005 \\ \text{OVER } 0.501 & \pm 0.010 \end{matrix}$		NAME	DATE	PRODUCT:	
	DRAWN	GJ	082613	-	
	CHECKED				TITLE: Seat Marker Assembly (Installation Scenario A&B)
	ENG APPR.				
	MFG APPR.				
DO NOT SCALE DRAWING	DERIVED FROM			SIZE A PART. NO. REV A	
MATERIAL	COMMENTS:			SCALE: 1:8 WEIGHT: SHEET 1 OF 1	
FINISH					

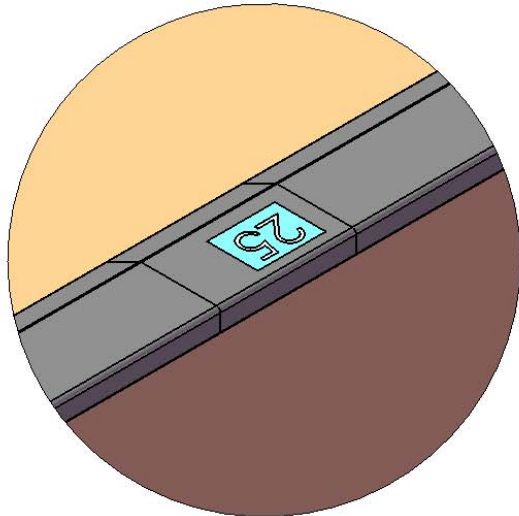
The information contained in this document is the sole property of Tempo Industries. Reproduction in part or as a whole without the written permission of Tempo Industries Inc., is prohibited.



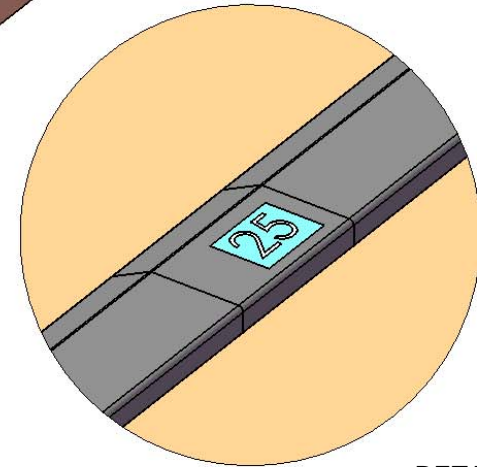
Scenario A




Scenario B



DETAIL A
SCALE 1 : 2



DETAIL B
SCALE 1 : 2

UNLESS OTHERWISE SPECIFIED: DIMENSIONS ARE IN INCHES TOLERANCES: ANGULAR: ±1/2DEG DECIMAL: .X ±0.063 .XX ±0.031 .XXX ±0.015 HOLES: UNDER 0.500 0.005 OVER 0.501 ± 0.010		NAME	DATE	PRODUCT:		
DO NOT SCALE DRAWING	DRAWN	GJ	9/3/13	TITLE:		
MATERIAL	CHECKED			Seat Marker Installation		
FINISH	ENG APPR.					
	MFG APPR.			SIZE	PART. NO.	REV
	DERIVED FROM			A		A
	COMMENTS:			SCALE: 1:24	WEIGHT:	SHEET 1 OF 1

The information contained in this document is the sole property of Tempo Industries. Reproduction in part or as a whole without the written permission of Tempo Industries Inc., is prohibited.