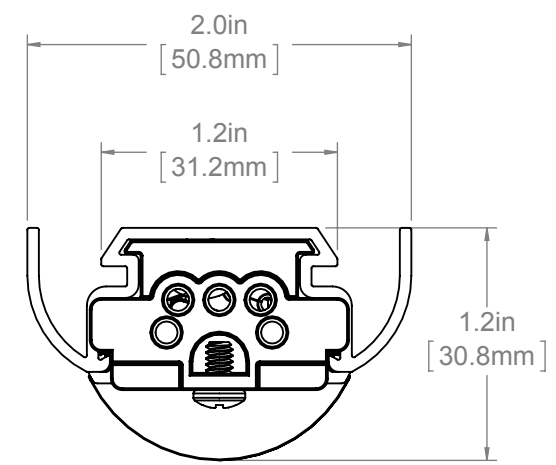
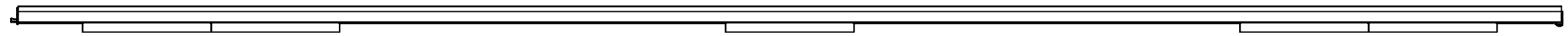
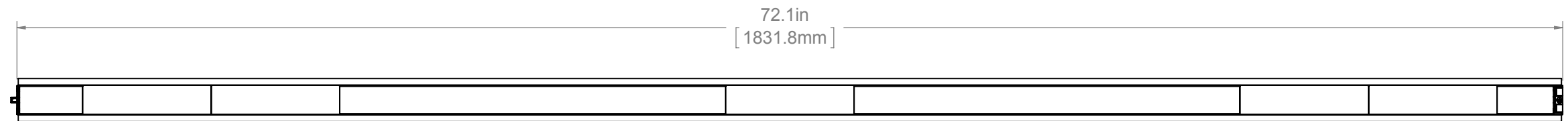


8 7 6 5 4 3 2 1

D
C
B
A

D
C
B
A



SCALE 1 : 1

The information contained in this document is the sole property of Tempo Industries. Reproduction in part or as a whole without the written permission of Tempo Industries Inc., is prohibited.

UNLESS OTHERWISE SPECIFIED:		NAME	DATE	tempo [®]	
DIMENSIONS ARE IN INCHES		DRAWN	JBB		
TOLERANCES:		CHECKED		TITLE: C4C6-A1B4A1	
ANGULAR: ±1/2DEG		ENG APPR.			
DECIMAL: .X ±0.030 .XX ±0.015 .XXX ±0.005		MFG APPR.			
HOLES: UNDER 0.500 ±0.005 OVER 0.501 ±0.010		Q.A.		SIZE PART. NO. REV B -	
INTERPRET GEOMETRIC TOLERANCING PER:		COMMENTS:			
MATERIAL As Noted					
FINISH As Noted				SCALE: 1:6	WEIGHT:
DO NOT SCALE DRAWING					SHEET 1 OF 1

8 7 6 5 4 3 2 1