

SWIII In-line Row Marker



APPLICATION

Tempo's SWIII In-line Row Marker integrates with the SWIII aisle, step and pathway Lighting system to provide a wall-mounted illuminated row indicator. Incorporating In-line Row Markers with the SWIII Wall Light System reduces wiring circuits and saves installation time.

CONSTRUCTION

- Rugged die cast aluminum housing
- Impact and vandal resistant
- Easily replaceable LED modules

PERFORMANCE

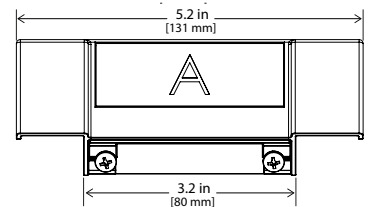
- Less than 0.1 watts energy consumption
- Dimmable with compatible transformers
- Expected life (L85) 86,000+ hours of operation

SUGGESTED COMPANION PRODUCTS

- SWIII Wall Light

LIGHT CHARACTERISTICS

- Available in white, amber, blue, green, red and yellow LED colors



No Factory in the Field[®]

SWIII In-line Row Marker is designed for ease of installation and maintenance.

WARRANTY

Tempo provides a limited 5-year warranty.



SWIII In-line Row Marker

ORDERING INFORMATION

IN-LINE ROW MARKER

Example: **34RM-BK-AM-10**

34RM Series, Black Anodized, Amber LEDs, Standard Font

34RM			
PLATFORM			
Series	Metal Finish	LED Color ¹	Plate Graphics
34RM SWIII In-lineRow Marker	BK Black Anodized CUS Custom Consult Factory	WH White AM Amber BL Blue GR Green RD Red YL Yellow	10 Standard font (Arial) 20 Special font (text only) 40 Special graphic (from factory) 50 Custom (customer supplied art)

NOTES:

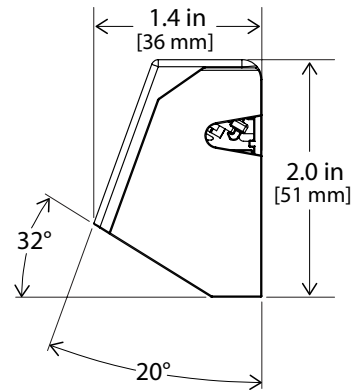
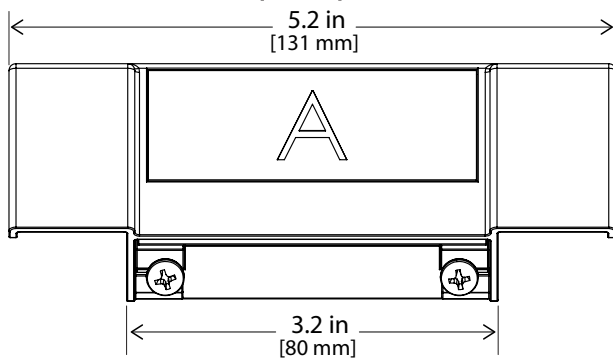
(1) Consult factory for alternate color LED options.

SYSTEM INTEGRATION ACCESSORIES

POWER SUPPLIES		
	PWR-T010012/2	120V AC Input, 12V AC Output, 100W, 2 Circuit, Class II Magnetic Transformer, NEMA 3R Case
	PWR-T015012/2	120V AC Input, 12V AC Output, 150W, 3 Circuit, Class II Magnetic Transformer, NEMA 3R Case
	PWR-T025012/2	120V AC Input, 12V AC Output, 250W, 4 Circuit, Class II Magnetic Transformer, NEMA 3R Case
SURGE SUPPRESSION DEVICE A Tempo furnished surge suppression device must be installed on each supplying branch circuit to comply with Tempo's 5-year warranty terms		
	SSD-120	120V Branch Circuit

SWIII In-line Row Marker

DIMENSIONAL INFORMATION



Tempo products and technologies are protected under one or more US and International patents.

Tempo reserves the right to change materials or modify the design of its product without notification as part of the company's continuing product improvement program. Please consult www.tempindustries.com for the most up-to-date specifications and technical data.